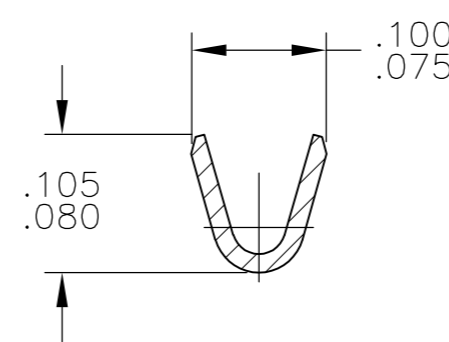
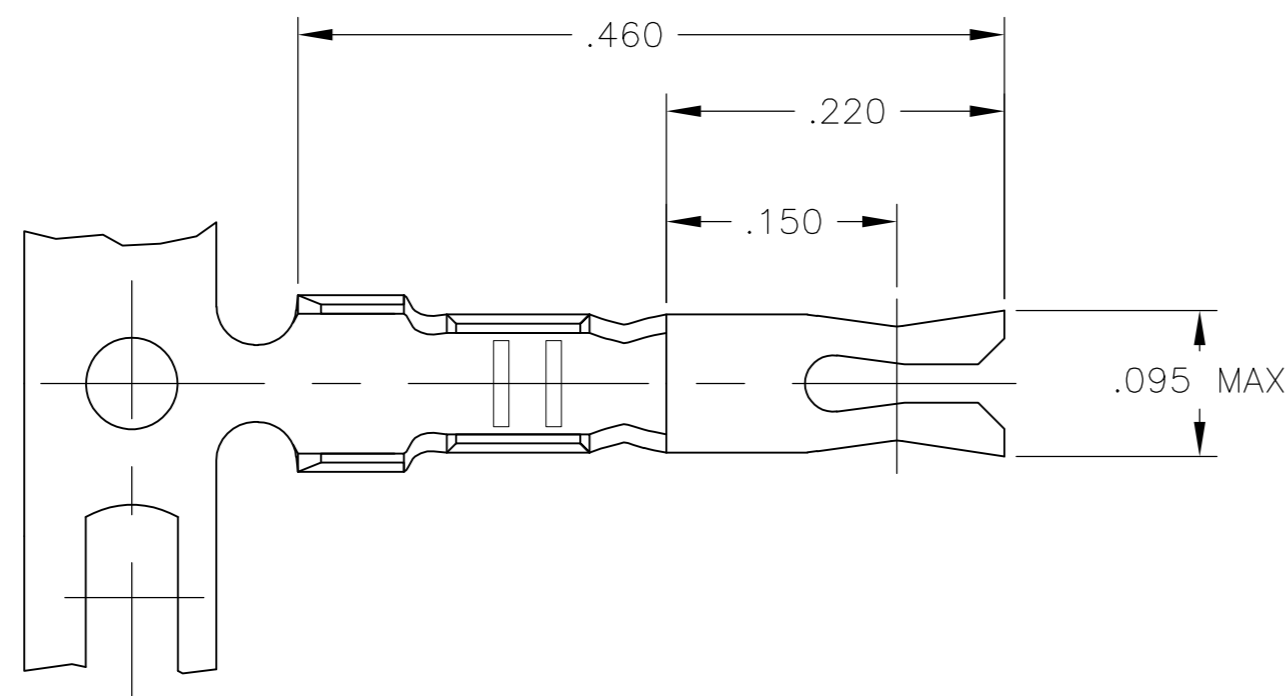


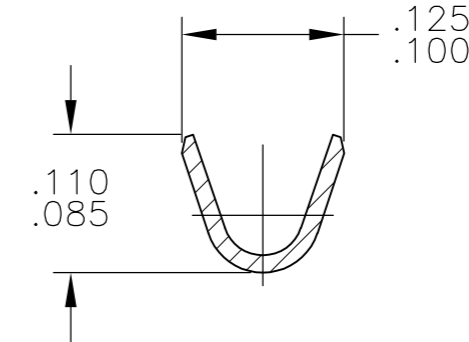
THIS DRAWING IS UNPUBLISHED. RELEASED FOR PUBLICATION
 © COPYRIGHT BY TYCO ELECTRONICS CORPORATION. ALL INTERNATIONAL RIGHTS RESERVED.

LOC	DIST	REVISIONS					
		P	LTR	DESCRIPTION	DATE	DWN	APVD
AF	50	E1		REDRAWN PER ECR-08-032847	09FEB09	HMR	JR

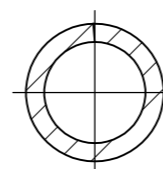
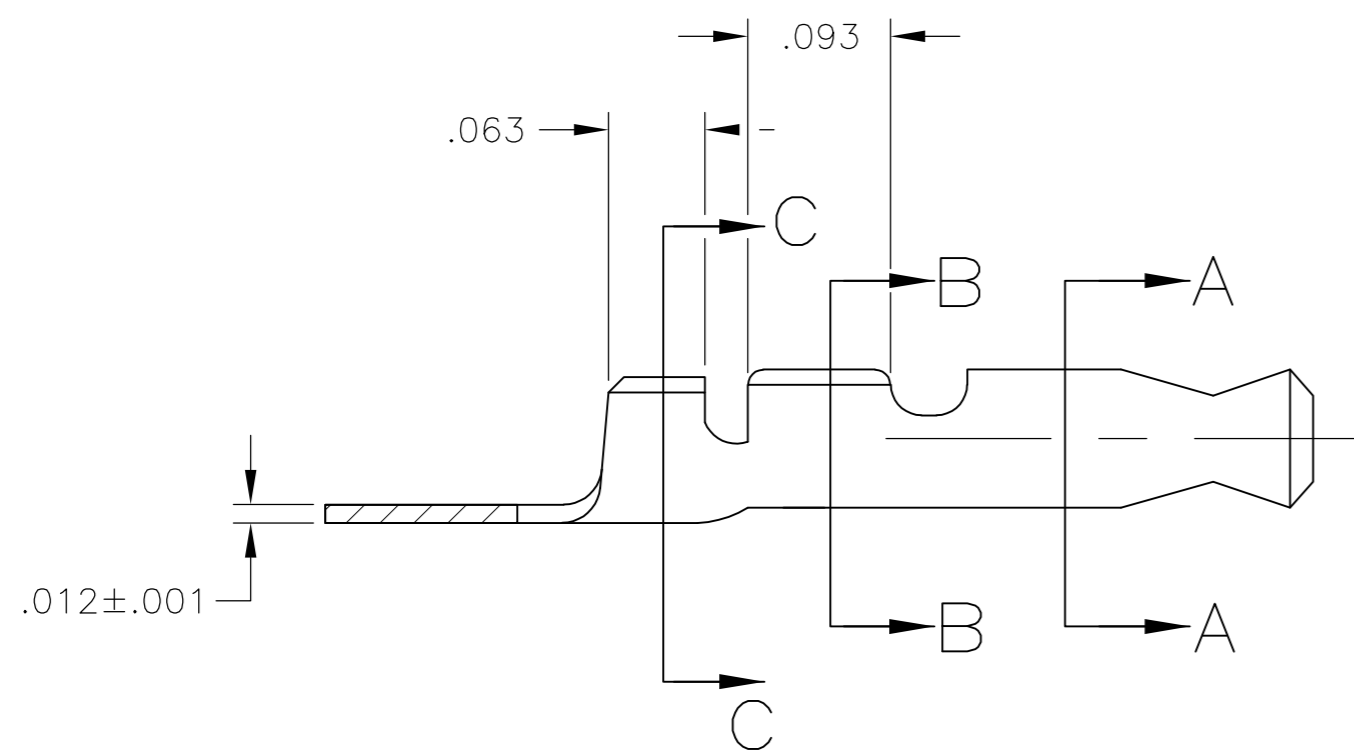
- 1 CONTINUOUS STRIP ON REELS.
- 2 WIRE RANGE: #24 - #20
INSULATION RANGE: .048 - .071



SECTION B-B



SECTION C-C



SECTION A-A

OBSOLETE	REVERSE REEL	.050	TIN	BE CU	60348-6
OBSOLETE		.050	TIN	BE CU	60348-5
	REVERSE REEL	.050	TIN	PHOS. BRONZE	60348-4
OBSOLETE	REVERSE REEL	.050	SILVER	PHOS. BRONZE	60348-3
OBSOLETE		.050	TIN	PHOS. BRONZE	60348-2
OBSOLETE		.050	SILVER	PHOS. BRONZE	60348-1

REMARKS	PIN DIA ±.001	FINISH	MATERIAL	TERMINAL NUMBER
---------	------------------	--------	----------	--------------------

THIS DRAWING IS A CONTROLLED DOCUMENT.		DWN RAGHAVENDRA 09FEB09	Tyco Electronics Corporation Harrisburg, PA 17105-3608																		
DIMENSIONS: INCHES		CHK JEFF RUTH 09FEB09	NAME																		
TOLERANCES UNLESS OTHERWISE SPECIFIED:		APVD DON DECKER 09FEB09	PRODUCT SPEC																		
<table border="1"> <tr><td>0 PLC</td><td>±</td><td>-</td></tr> <tr><td>1 PLC</td><td>±</td><td>-</td></tr> <tr><td>2 PLC</td><td>±</td><td>-</td></tr> <tr><td>3 PLC</td><td>±</td><td>.015</td></tr> <tr><td>4 PLC</td><td>±</td><td>-</td></tr> <tr><td>ANGLES</td><td>±</td><td>1°</td></tr> </table>		0 PLC	±	-	1 PLC	±	-	2 PLC	±	-	3 PLC	±	.015	4 PLC	±	-	ANGLES	±	1°	APPLICATION SPEC	
0 PLC	±	-																			
1 PLC	±	-																			
2 PLC	±	-																			
3 PLC	±	.015																			
4 PLC	±	-																			
ANGLES	±	1°																			
MATERIAL SEE TABLE	FINISH SEE TABLE	WEIGHT -	SIZE A2	CAGE CODE 00779																	
CUSTOMER DRAWING		SCALE 8:1	DRAWING NO C=60348	RESTRICTED TO -																	
		SHEET 1 of 1	REV E1																		