

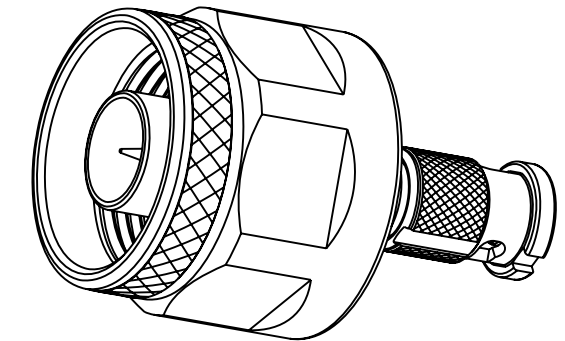
NOTES:

1. MATERIALS AND FINISHES:
 - BODY - STAINLESS STEEL, PASSIVATED
 - CONTACT - BeCu, GOLD PLATING
 - OUTER CONTACT - BeCu, NICKEL PLATING
 - INSULATOR - PTFE
 - BAYONET - BRASS, NICKEL PLATING
2. ELECTRICAL:
 - A. IMPEDANCE: 75 OHM
 - B. FREQUENCY RANGE: DC - 4 GHz
 - C. RETURN LOSS: 30 dB MIN @ 3 GHz
3. MECHANICAL:
 - A. DURABILITY: 500 CYCLES MIN.
 - B. TEMPERATURE RANGE: -65° C TO +100° C
4. PACKAGING:
 - A. QUANTITY: SINGLE PACK
 - B. MARKING: BAG TO BE MARKED "AMPHENOLRF, APH-NP-HDBNCP, AND DATE CODE"

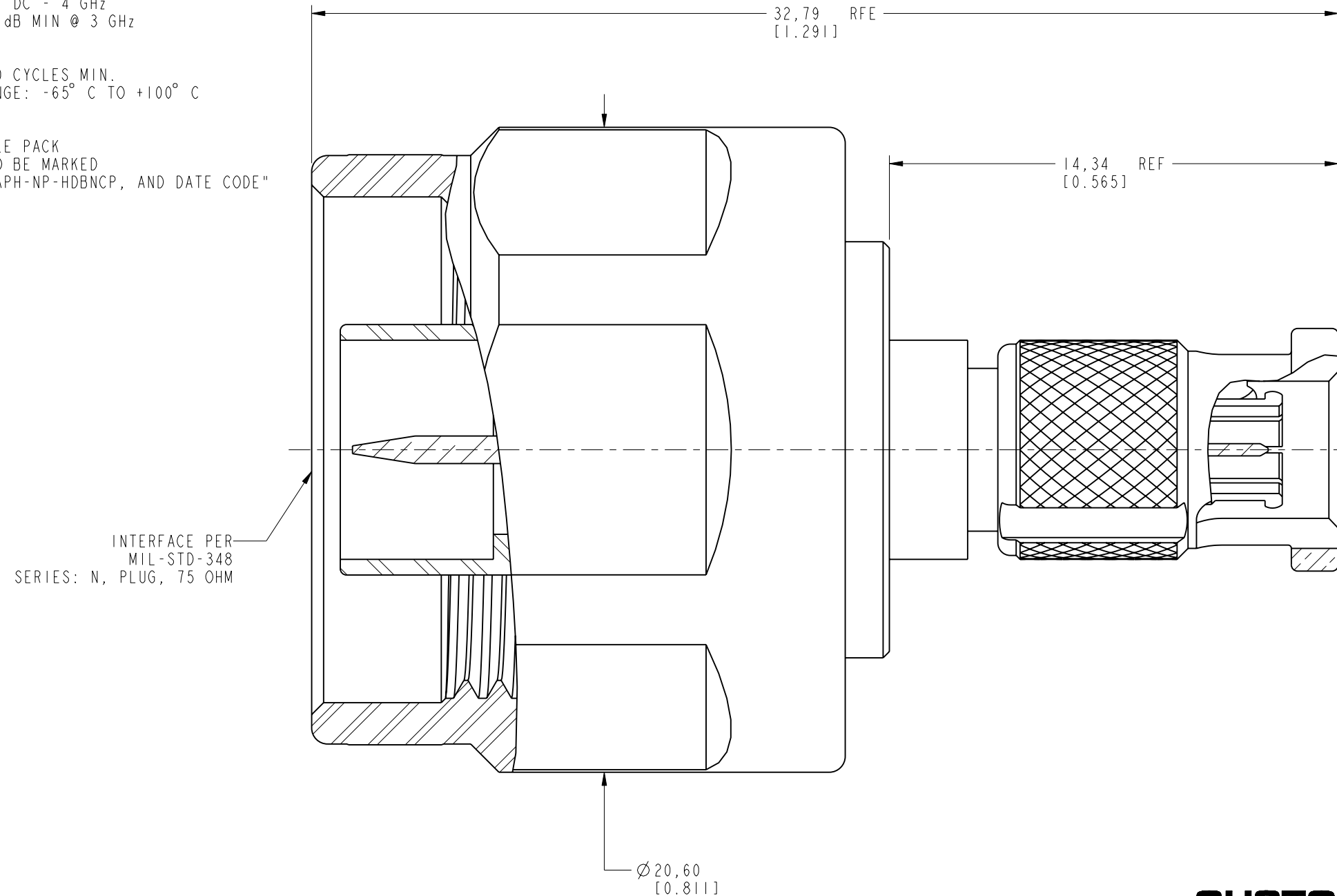
THIRD ANGLE PROJ.

REVISIONS

REV	DESCRIPTION	DATE	ECO	APPR
A	RELEASE TO MFG.	10/6/10	48270	KR



SCALE 2.000



CUSTOMER OUTLINE DRAWING
ALL OTHER SHEETS ARE FOR INTERNAL USE ONLY

UNLESS OTHERWISE SPECIFIED, DIMENSIONS ARE IN METRIC AND TOLERANCES ARE:
 <0.5mm ±0.05mm 0.5 - 6mm ±0.1mm 6 - 30mm ±0.2mm 30 - 120mm ±0.3mm ANGLES ±1°

NOTICE - These drawings, specifications, or other data (1) are, and remain the property of Amphenol corp. (2) must be returned upon request; and (3) are confidential and not to be disclosed to any person other than those to whom they are given by Amphenol Corp. the furnishing of these drawings, specifications, or other data by Amphenol Corp., or to any other person to anyone for any purpose is not to be regarded by implication or otherwise in any manner licensing, granting rights to permitting such holder or any other sperson to manufacture, use or sell any product, process or design, patented or otherwise, that may in any way be related to or disclosed by said drawings, specifications, or other data.

MATERIAL SEE NOTES	DRAWN S.LI DATE 25-Oct-10	TITLE ADAPTOR, 75 OHM N PLUG TO HD BNC PLUG		Amphenol RF Danbury CT USA, Tainan, Taiwan, Shenzhen, China www.amphenolrf.com	
REFERENCE EAR # 4100	ENGINEER KARTHIK R DATE 29-Mar-10	APPROVED S.HSIEH DATE 26-Oct-10		DRAWING NO. APH-NP-HDBNCP	
CONFIGURATION LEVEL: =%%Z0HXIBIGC%=	CAD FILE Root Folder/HD-BNC/APH-NP-HDBNCP	SCALE: 6.0:1.0	SHEET 2 OF 2	ITEM NO. APH-NP-HDBNCP	
FINISH		DWG SIZE B	REV A	PART NO. APH-NP-HDBNCP	