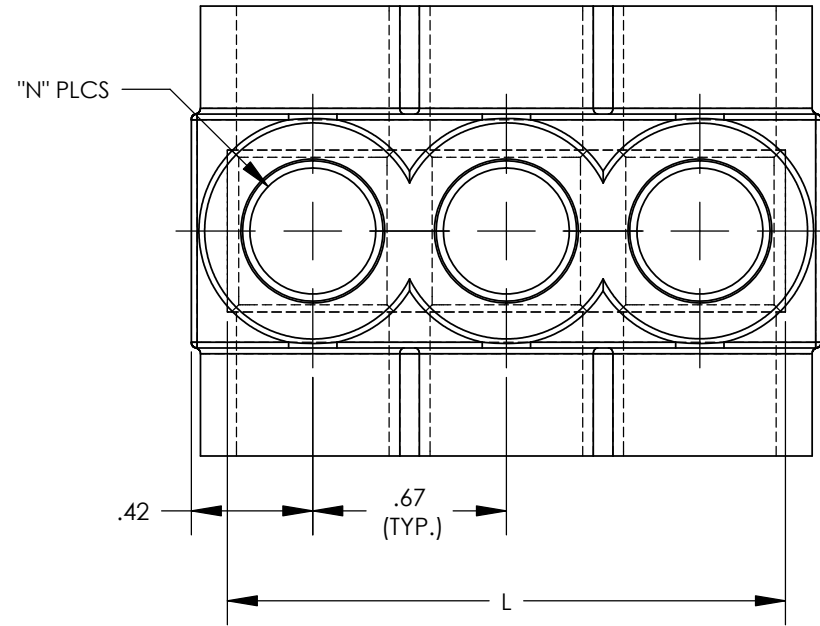
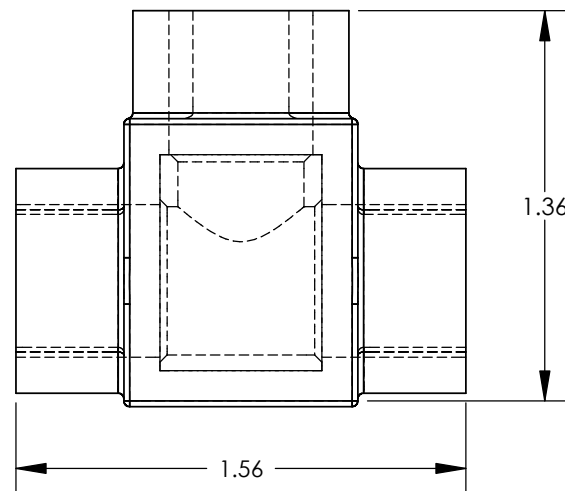
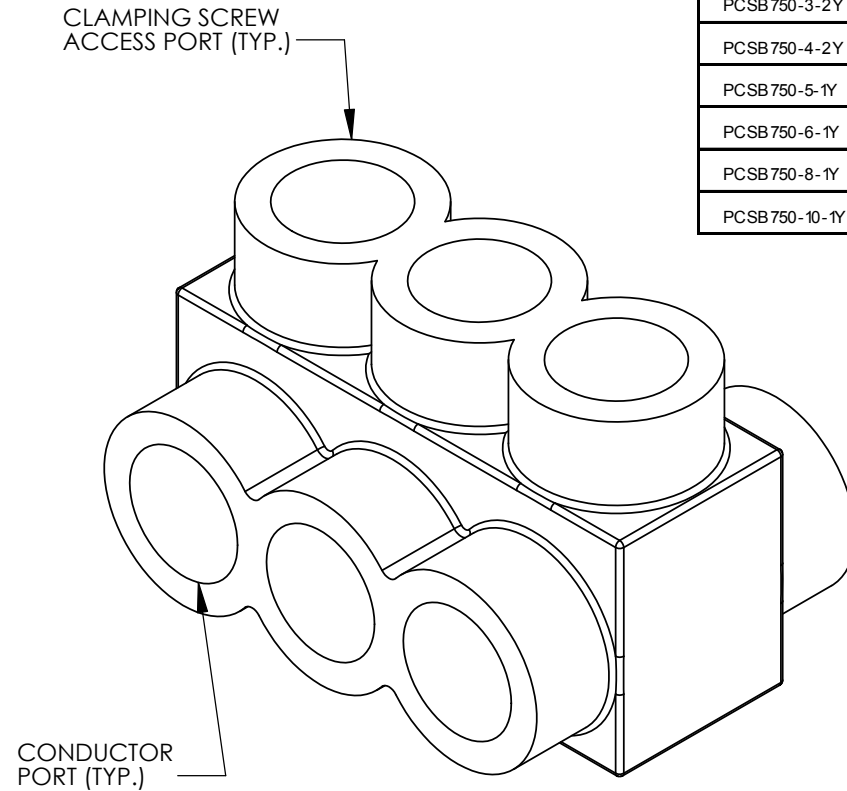
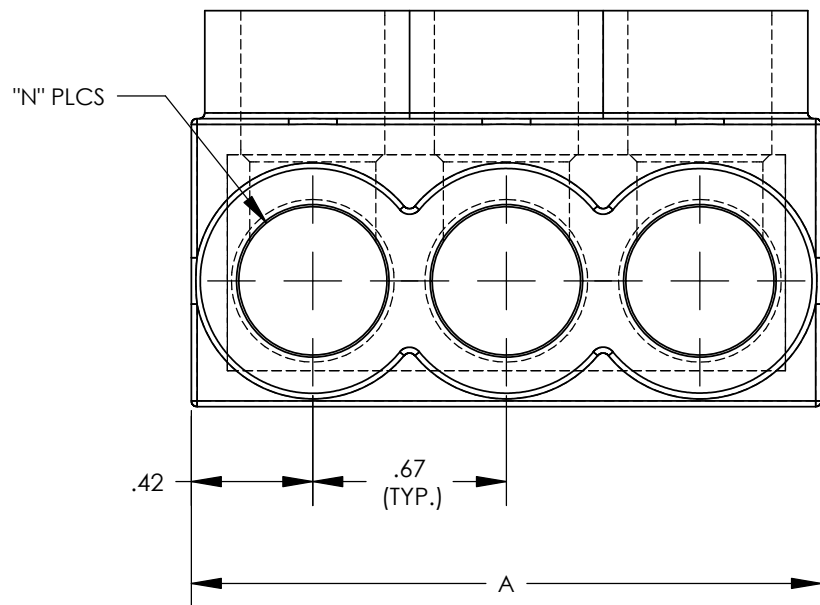


THIS COPY IS PROVIDED ON A RESTRICTED BASIS AND IS NOT TO BE USED IN ANY WAY DETRIMENTAL TO THE INTERESTS OF PANDUIT CORP.



THREE PORT CONNECTOR BLOCK SHOWN WITH PLASTIC CLOSURE PLUGS REMOVED. SEE TABLE FOR DIMENSIONS OF PARTS WITH ADDITIONAL PORTS



PANDUIT FINISHED GOODS P/N	CONDUCTOR RANGE	HEX KEY	SCREW QTY.	CAP (SCREW PORT) QTY.	CAP (WIRE PORT) QTY.	A	L	N	TIGHTENING TORQUE
PCSB750-2-2Y	750 kcmil - #2 STR	3/8	2	2	4	2.88	2.6250	2	500 in/lb
PCSB750-3-2Y		3/8	3	3	6	4.25	4.0000	3	
PCSB750-4-2Y		3/8	4	4	8	5.63	5.3750	4	
PCSB750-5-1Y		3/8	5	5	10	7.00	6.7500	5	
PCSB750-6-1Y		3/8	6	6	12	8.38	8.1250	6	
PCSB750-8-1Y		3/8	8	8	16	11.13	10.8750	8	
PCSB750-10-1Y		3/8	10	10	20	13.88	13.6250	10	

NOTES:

- DUAL RATED CU9AL FOR ALUMINUM OR COPPER CONDUCTORS. MEETS OR EXCEEDS ANSI C119.4
- SEE TABLE FOR WIRE RANGE.
- STRIP LENGTH: 1.50 +.06/-0
- FOR TIGHTENING TORQUE SEE TABLE
- VOLTAGE RATING: 600 V. MAX. BUILDING WIRE, 1000 V. MAX. IN SIGNS & FIXTURES.
- TEMPERATURE RATING: 90 °C (CU9AL).
- CONNECTOR BLOCK BODY ARE MADE FROM ALUMINUM. CONDUCTOR PORTS IN CONNECTOR BLOCK ARE PREFILLED WITH AN OXIDE-INHIBITING COMPOUND.
- CONNECTOR TO INCLUDE TIN PLATED ALUMINUM CLAMPING SCREWS FOR EACH CONDUCTOR PORT.
- INSULATION MATERIAL IS CLEAR PVC.
- CLAMPING SCREW ACCESS PORTS AND ALL WIRE ENTRY PORTS ARE PROVIDED WITH REMOVABLE PLASTIC CLOSURE PLUGS.
- ALL DIMENSIONS SHOWN ARE NOMINAL.
- ONLY ONE CONDUCTOR PER PORT ALLOWED.
- PACKAGE QTY: -12 = 12 PCS.
-6 = 6 PCS.
-4 = 4 PCS.
- THIS PART IS RoHS COMPLIANT.

												MULTI-TAP INSULATED CONNECTORS PCSB750 SERIES			
														UNLESS OTHERWISE SPECIFIED DIMENSIONAL TOLERANCES ARE: (.X) ± (.XXX) ± (.XX) ± ANGLES ±	
										DRAWN BY MS	MAT'L:		SCALE 1.5:1		
										DATE 08/99	SEE NOTE 1 ABOVE		DRAWING NO / CAD FILE C41575_03		
03	11/09	JHNU	JHNU	REVISED NOTE 3: 1.50 WAS .56 ADDED HEX KEY SIZE TO TABLE						CHK'D RLS		DWG B SIZE			
REV	DATE	BY	CHK	DESCRIPTION						ECN	CUST	QA	APP	CHK'D	RLS