

DWG. NO. SD-35464-001

PROJECT NO.

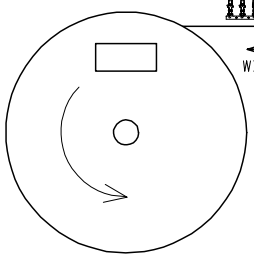
E

D

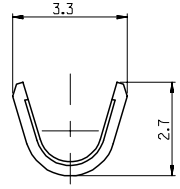
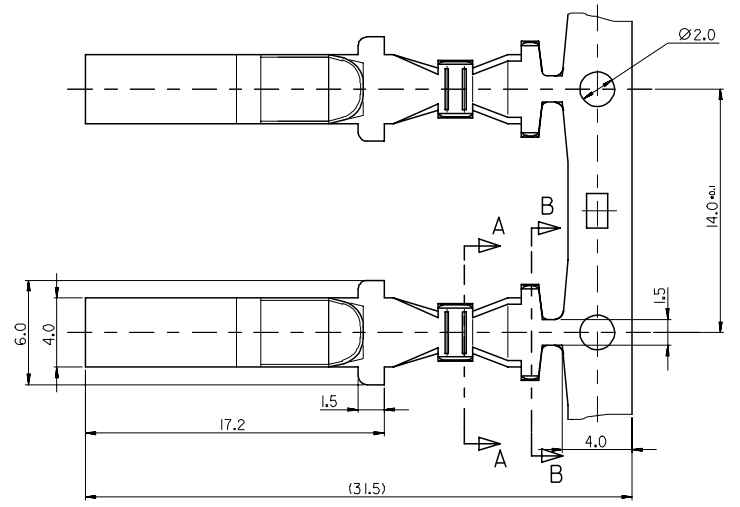
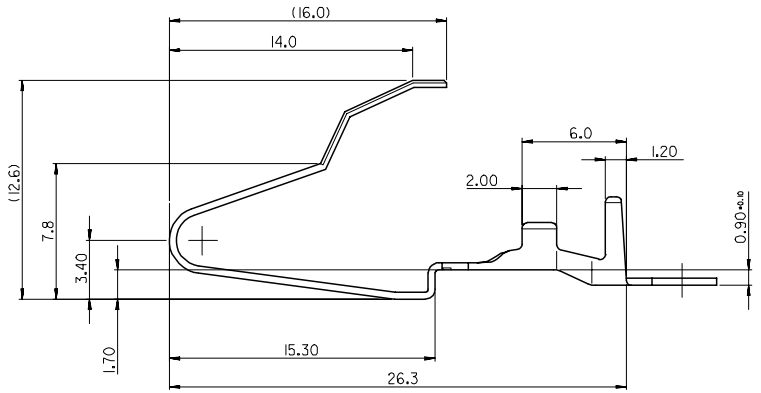
C

B

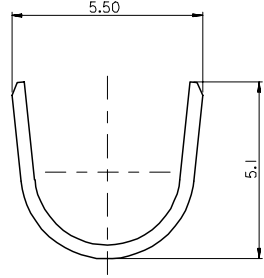
DO NOT SCALE DRAWING
DIMENSION IN METRIC



WINDING FEEDING SIDE



SECT. A-A



SECT. B-B

NOTES

1. APPLICABLE WIRE SIZE :AVS (AVSS)0.5±0.85 SQUARE MILIMETER
2. APPLICABLE WIRE SEAL PART NO: 35903-0096
3. APPLICABLE SOCKET PART NO: 35842-030*/35843-02**
4. MATERIAL: PHOSPHOR BRONZE,
PLATING=UNPLATED, THICKNESS=0.40mm

CHANGED DIMENSION	EC NO.	DRWN: Y.SIK,KIM 01/09/20	CHK: Y.SIK,KIM 01/09/20	APPR: C.W.LEE 01/09/21	QUALITY SYMBOLS	GENERAL TOLERANCES: (UNLESS SPECIFIED)		SCALE	DESIGN UNITS	THIRD ANGLE PROJECTION	DIMENSIONS:	SHT	REV	
						mm	INCH	1:1	mm	INCH	mm	mm	mm	mm
B	REV				DESCRIPTION	4 PLACES	±0.	±	DRAWN BY & DATE	Y.SIK,KIM 98/11/26	TITLE:			
					MAJOR	3 PLACES	±0.	±	CHECKED BY & DATE	B.K.CHOI 98/11/30	SEALED PT BULB SOCKET POSITIVE TERMINAL			
					CRITICAL	2 PLACES	±0.20	±	APPROVED BY & DATE	C.W.LEE 98/11/30	MOLEX INCORPORATED KOREA			
					△=0	1 PLACE	±0.30	±	CAD FILENAME	sd35464.dgn	MATERIAL NO.	DRAWING NO.	SHEET NO.	
						ANGULAR: ± 1 °					35464-8000	SD-35464-001	1 OF 1	
DRAFT WHERE APPLICABLE MUST REMAIN WITHIN DIMENSIONS						THIS DRAWING CONTAINS INFORMATION THAT IS PROPRIETARY TO MOLEX INCORPORATED AND SHOULD NOT BE USED WITHOUT WRITTEN PERMISSION.								

H

G

F

E

D

C

B

A

MX-A2