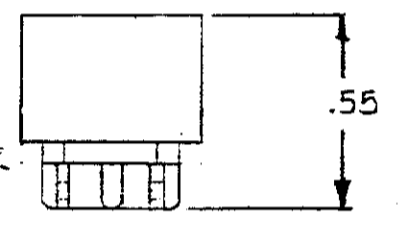
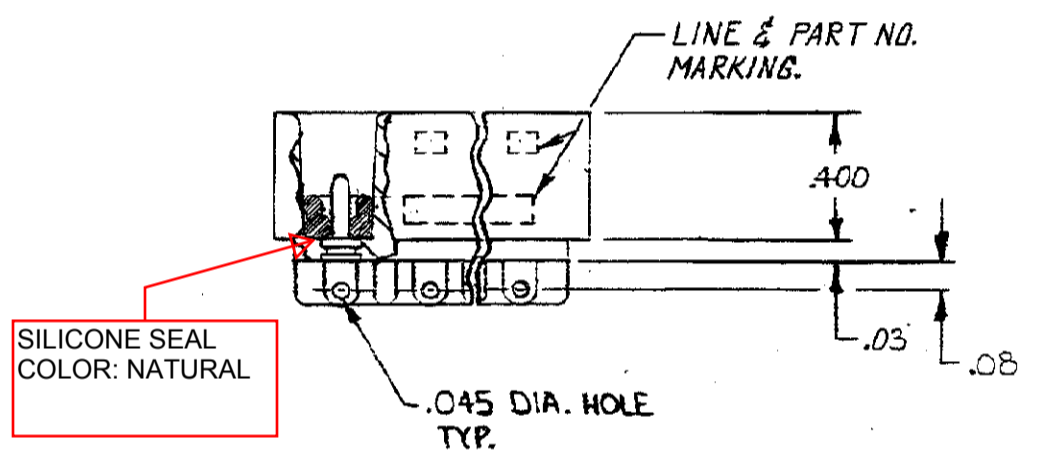
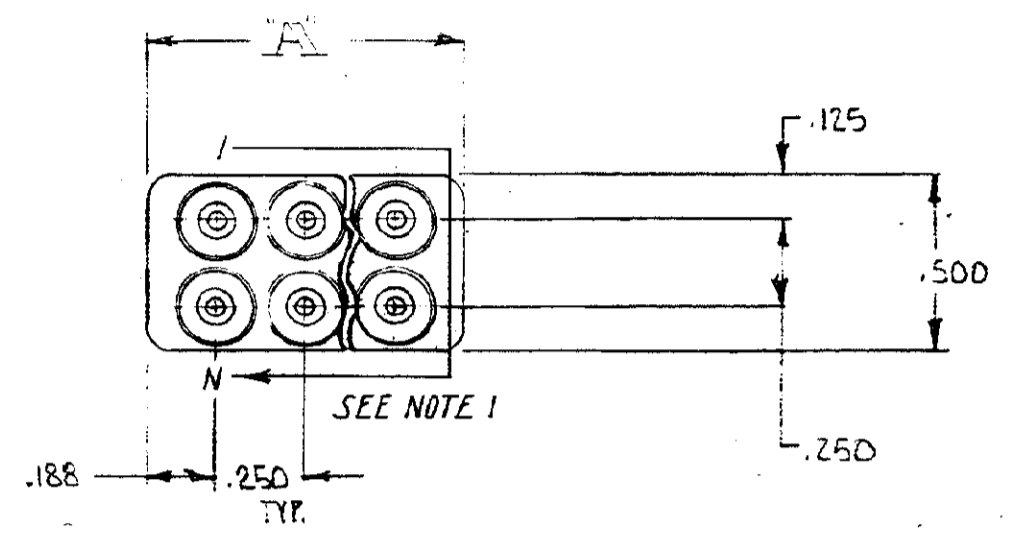


© COPYRIGHT 1977 BY AMP INCORPORATED, HARRISBURG, PA.
ALL INTERNATIONAL RIGHTS RESERVED. AMP INCORPORATED PRODUCTS
COVERED BY U. S. AND FOREIGN PATENTS AND/OR PATENTS PENDING.

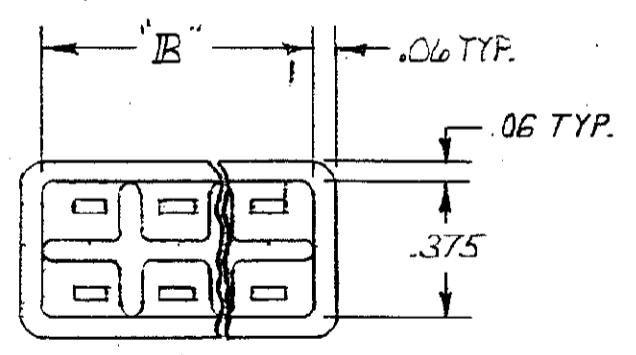
UNPUBLISHED COPY NOT TO BE
REPRODUCED NOR PUBLISHED
WITHOUT WRITTEN PERMISSION
OF AMP INCORPORATED.

REVISIONS						
P	F	ZONE	LTR	DESCRIPTION	DATE	APPROVED
				SK-50858C	9-10-77	
				RELEASED FOR PROD.	RN 9/21/77	
		A		ADDED NOTE 1 & MARKING ECN 8180	10-28-77	H. J. ...
		C-3	B	.400 WAS .370, .03 WAS .06, ECN 8192, DS	11-16-77	H. J. ...
			C	REV. PER ECN 8227	RN 2-15-78	H. J. ...
			D	UP-DATED ECN 8384	RGR 9-6-78	m.b.
			E	OBSOLETE -5 ECN L1556	4-7-87	JM
				REACTIVATED -5 ECN S 3524		
				F REV PER ECO-10-017059	12-10	DE



AMP P/N	CONTACT	"A" DIM.	"B" DIM.
863773-1	2	.375	.250
863773-2	4	.625	.500
863773-3	6	.875	.750
863773-4	8	1.125	1.000
863773-5	10	1.375	1.250
863773-6	12	1.625	1.500

1. LINE NUMBERS ARE MARKED ON THE SIDES COUNTING FROM 1 TO N AS SHOWN (N=NUMBER OF CONTACTS).



				UNLESS OTHERWISE SPECIFIED DIMENSIONS ARE IN INCHES. TOLERANCES: .00 ± .02, .000 ± .005 ANGLES ±		CONTRACT NO DR <i>R. E. Fry</i> 8-3-77 CHK		AMP INCORPORATED Elizabethtown, Pa.			
				MATERIAL MOLDED GLASS EPOXY		APPD <i>H. J. ...</i> 8-3-77 APPD <i>R. E. Fry</i> 9-21-77		NAME PIN HOUSING ASSEMBLY			
				FINISH BLACK		DSGN APPD		SIZE CODE IDENT NO DRAWING NO C 00779 863773			
NEXT ASSY		FINAL ASSY		NEXT ASSY		USED ON		OTHER APPD			
QTY REQD		APPLICATION								SCALE ~	
								SHEET 1 OF 1 REV F			

UP-DATE