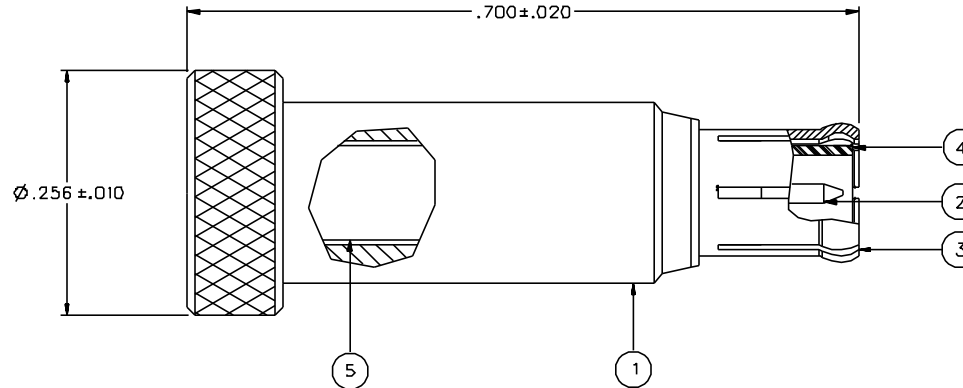


PART NUMBER	ITEM ① BODY	ITEM ② CONTACT	ITEM ③ INTERFACE	ITEM ④ INSULATOR	ITEM ⑤ RESISTOR
133-3801-801	BRASS GOLD PL .00001 MIN OVER NICKEL PL .00005 MIN OVER COPPER PL .00005 MIN	BRASS GOLD PL .00003 MIN OVER NICKEL PL .00005 MIN OVER COPPER PL .00005 MIN	BERYLLIUM COPPER GOLD PL .00003 MIN OVER NICKEL PL .00005 MIN OVER COPPER PL .00005 MIN	TEFLON	50 OHM +-1%
133-3801-806	BRASS NICKEL PL .0001 MIN OVER COPPER PL .00005 MIN	BRASS GOLD PL .00003 MIN OVER NICKEL PL .00005 MIN OVER COPPER PL .00005 MIN	BERYLLIUM COPPER NICKEL PL .0001 MIN OVER COPPER PL .00005 MIN	TEFLON	50 OHM +-1%

DRAWING NO. C - 133-3801-801/810			
0 REVISIONS			
ENGINEERING RELEASE			
1	9-19-96	RJB	9-30-96 ECN 44302
CHANGED: VSWR: NOT APPLICABLE WAS 2.0 MAXIMUM			
2	1-5-98	RJB	ECN 45142
CHANGED: 5.6 LBS MAX ENGAGE WAS 3.4 LBS, 1.0/8.0 MIN/MAX DISENGAGE WAS 5 LBS TYPICAL 2.3 LBS RETENTION WAS 4 LBS			
* REVISION NUMBER FOLLOWED BY AN ALPHA * * CHARACTER INDICATES DRAWING CLASS * * CATION OR PART NUMBER ADDITION ONLY *			
2a	10-11-00	RJB	ECN 47341



NOTES:

1. SPECIFICATIONS:

RESISTANCE: 50+-5% OHMS
 FREQUENCY RANGE: 0-3 GHz
 VSWR: NOT APPLICABLE
 MAXIMUM POWER: 0.5 WATT TO 25°C, DERATED TO 0.25 WATT AT +125°C
 CONTACT RESISTANCE:
 CENTER CONTACT - INITIAL 5 MILLIOHM MAX, AFTER ENVIRONMENTAL 8 MILLIOHM MAX
 OUTER CONDUCTOR - GOLD PLATED INITIAL 1 MILLIOHM MAX, AFTER ENVIRONMENTAL 1.5 MILLIOHM MAX
 NICKEL PLATED INITIAL 2.5 MILLIOHM MAX, AFTER ENVIRONMENTAL 3.5 MILLIOHM MAX

MECHANICAL:

ENGAGE/DISENGAGE FORCE: 5.6 LBS MAX ENGAGEMENT
 1.0/8.0 LBS MIN/MAX DISENGAGEMENT
 CONTACT RETENTION FORCE: 2.3 LBS MIN AXIAL FORCE
 DURABILITY: 500 CYCLES MIN

ENVIRONMENTAL:


OPERATING TEMPERATURE: -65 DEG C TO 125 DEG C

CUSTOMER DRAWING

THIS DRAWING TO BE INTERPRETED PER ANS Y 14.5M - 1982

"µSTATION"

COMPANY CONFIDENTIAL

TOLERANCE UNLESS OTHERWISE SPECIFIED	DRAWN BY RJB	DATE 8-29-96	 <small>Cinch Connectivity Solutions 299 Johnson Ave. Ste. 100 Waseca, MN 56093 1-800-247-8256</small>	
DECIMALS .XX	CHECKED BY RJB	DATE 9-19-96	TITLE PLUG ASSEMBLY, RESISTOR LOAD, 50 OHM MCX	
WATL	APPROVED BY RJB	DATE 9-19-96	CODE NO.	DRAWING NO. C - 133-3801-801/810
FINISH	RELEASE DATE 9-30-96	SCALE 10:1	U/M INCH	SHEET 2 OF 2