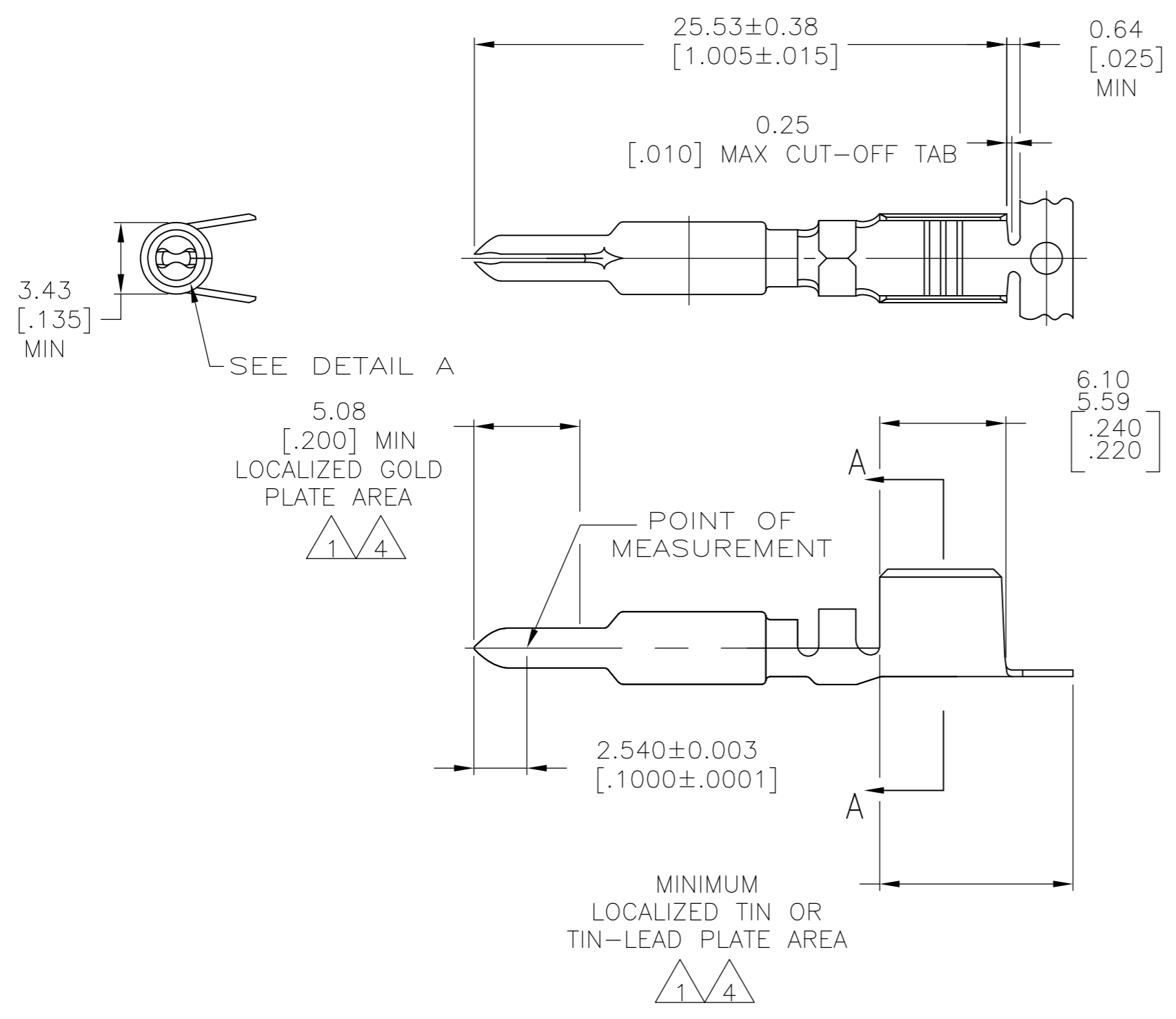
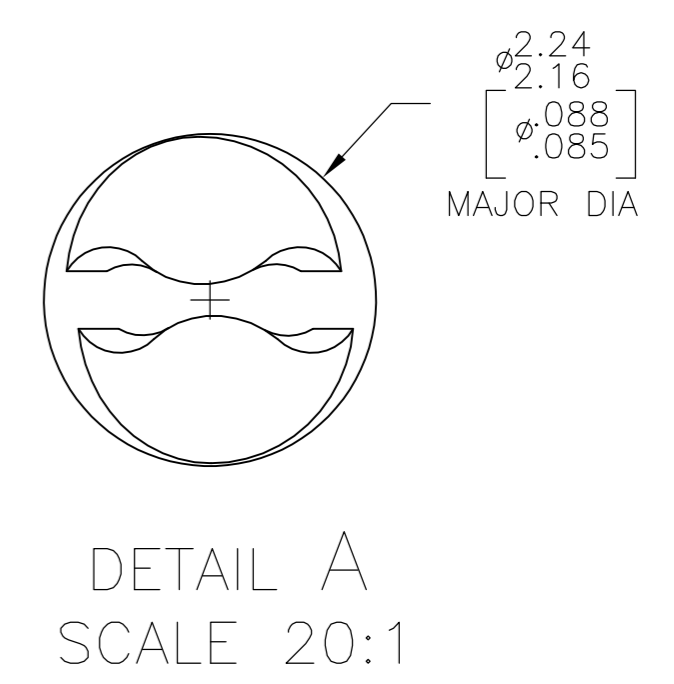
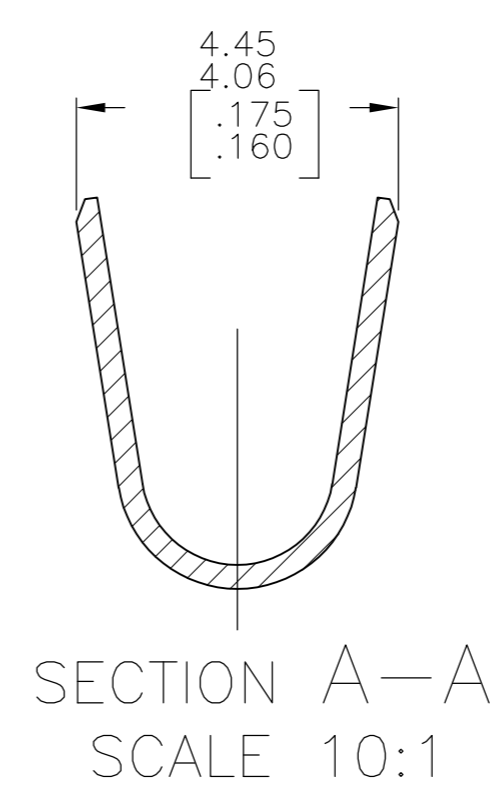


THIS DRAWING IS UNPUBLISHED. RELEASED FOR PUBLICATION
 © COPYRIGHT BY TYCO ELECTRONICS CORPORATION. ALL RIGHTS RESERVED.

| LOC | DIST | REVISIONS | | | |
|-----|------|---------------------------|---------|-----|------|
| P | LTR | DESCRIPTION | DATE | DWN | APVD |
| CM | 00 | | | | |
| | K | REVISED PER ECO-09-025490 | 17NOV09 | HMR | MS |



- 1 0.00076[.000030] MIN GOLD AT POINT OF MEASUREMENT IN THE LOCALIZED GOLD PLATE AREA, 0.00127[.000050] MIN TIN-LEAD IN TIN-LEAD PLATE AREA, 0.00127[.000050] MIN NICKEL UNDERPLATE ON ENTIRE CONTACT.
- 2 WIRE RANGE: 3-6mm² [12-10 AWG].
- 3 DIMENSIONS IN BRACKETS ARE IN INCHES.
- 4 0.00076[.000030] MIN GOLD AT POINT OF MEASUREMENT IN THE LOCALIZED GOLD PLATE AREA, 0.00127[.000050] MIN TIN IN TIN PLATE AREA, 0.00127[.000050] MIN NICKEL UNDERPLATE ON ENTIRE CONTACT.
- 5 THIS CONTACT HAS NO INSULATION BARREL.



| FINISH | MATERIAL | PART NUMBER |
|---------|--------------------|-------------|
| GOLD 4 | 0.30 [.012] PH BRZ | 1-770003-0 |
| GOLD 1 | 0.30 [.012] PH BRZ | 770003-4 |
| PRE-TIN | 0.30 [.012] PH BRZ | 770003-3 |

| | | | | |
|---|--|-------------------------------|---|------------------------|
| THIS DRAWING IS A CONTROLLED DOCUMENT. | | DWN K. WHITAKER 02APR04 | Tyco Electronics Corporation Harrisburg, PA 17105-3608 | |
| DIMENSIONS: mm [INCHES] | | CHK C. JONES 02APR04 | NAME - | |
| TOLERANCES UNLESS OTHERWISE SPECIFIED: 0 PLC ± - 1 PLC ± - 2 PLC ± - 3 PLC ± - 4 PLC ± - ANGLES ± - | | APVD C. JONES 02APR04 | PRODUCT SPEC - | |
| MATERIAL - | | APPLICATION SPEC - | WEIGHT - | RESTRICTED TO - |
| FINISH - | | WEIGHT - | SCALE A2 00779 | DRAWING NO C=770003 |
| CUSTOMER DRAWING | | SCALE 4:1 | SHEET 1 OF 1 | REV K |

METRIC

770003