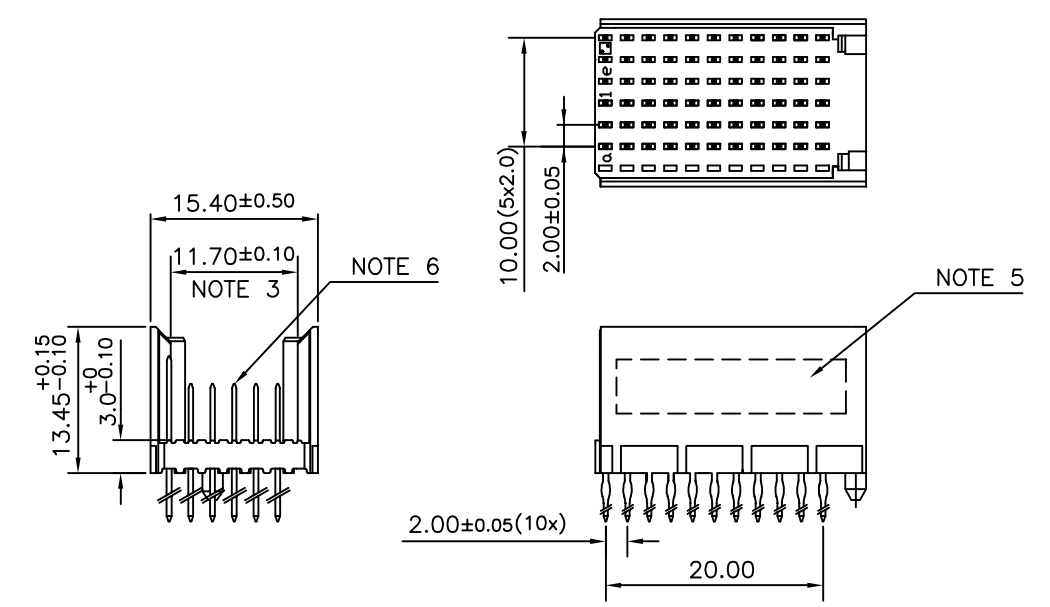


1 | 2 | 3 | 4 | 5 | 6

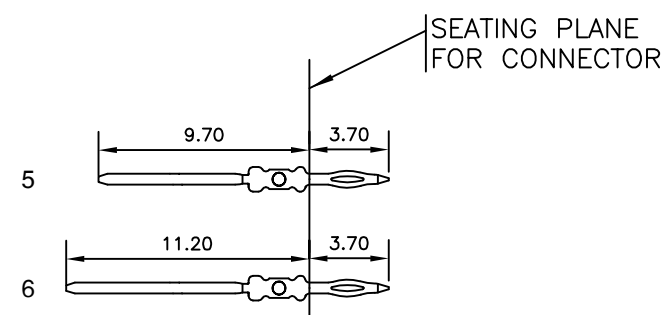
LOADING PATTERN MATING SIDE

f	6	6	6	6	6	6	6	6	6	6
e	5	5	5	5	5	5	5	5	5	6
d	5	5	5	5	5	5	5	5	5	6
c	5	5	5	5	5	5	5	5	5	6
b	5	5	5	5	5	5	5	5	5	5
a	5	5	5	5	5	5	5	5	5	6
z	0	0	0	0	0	0	0	0	0	0
P	0									
O	1									
S		5								0

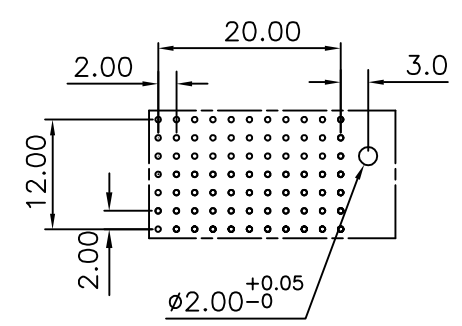
LOADED CONNECTOR ASSEMBLY
(FOR EXAMPLE)



CONTACT OVERVIEW



LAY-OUT P.C.B.-HOLE



HM2P09PDE3J5 LEAD FREE INDICATOR : LF = LEAD FREE (DIGIT 15 & 16)
PLATING CODE (DIGIT 13 AND 14) (REF DRW NO. BS,C , 201844 , 003)

- NOTES**
- THIS PRODUCT IS CSA APPROVED.
 - THIS PRODUCT IS UL RECOGNIZED.
 - MEASURED AT THE BOTTOM.
 - MATERIAL CONTACT: PHOSPHORBRONZE
HOUSING: CREAM WHITE GLASS FILLED POLYESTER UL-94V0
 - CONNECTOR PRINTED WITH P/N AND DATE CODE.
 - FOR ACTUAL CONTACT LOADINGS, SEE LOADING PATTERN MATING SIDE.
 - SHAPE OF CONNECTOR HOUSING CAN ALTER DEPENDING ON PRODUCTION LOCATION
 - THE PRODUCT (LF) MEETS EUROPEAN UNION DIRECTIVES AND OTHER COUNTRY REGULATIONS AS DESCRIBED IN GS-22-008
 - FOR RECOMMENDED PTH DIMENSIONS REFER DRAWING : BS, A , 201572 , 001
- CATALOG NO: HM2P09PDE3J5----

mat'l. code SEE NOTE 4				surface ISO 1302 <input checked="" type="checkbox"/>	tolerance ISO 406 ISO 1101	projection 	product family MILLIPACS	
ltr	ecn no	dr	date	tolerances unless otherwise specified		MM 	title MPACS 5+2R STR HDR PF CONN TYPE C	
A	I04-0075	MINI	2004/09/07	angles	linear			
B	I05-0189	MINI	2005/10/13	0°±1°				
C	I06-0090	MINI	2006/06/27	dr	MINI K VANDANATH	2004/09/07	dwg no sheet 1 of 1 size BS, C ,203028, 143 A3 type Product Customer Drawing	
				enr	BIJU K PAUL	2004/09/07		
				chr	BIJU K PAUL	2006/06/27		
				appd	BIJU K PAUL	2006/06/27		
sheet index	revision sheet	C	1					

FCI
FCIconnect.com

Copyright FCI