

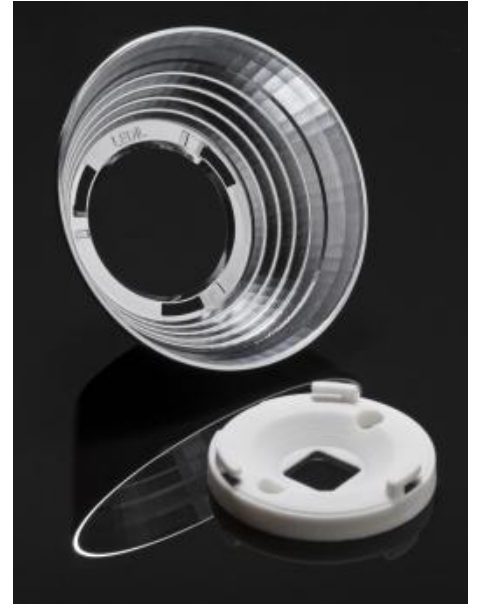


PRODUCT DATASHEET ANGELINA series

last update 3/11/2016

DETAILS

Product Number	FCN13576_ANGELINA-W
Family	ANGELINA
Type	RefPack
Color	metal
Diameter	82 mm
Height	36,94 mm
Style	round
Optic Material	
Holder Material	
Fastening	screw
Status	production ready
ROHS Compliant	Yes
Date Updated	3/11/2016



OPTICAL PROPERTIES

LED	Viewing Angle	Light Beam	Efficiency	cd/lm	Connector
LUXEON S3000	44 deg	Wide	92 %	1.200	LEDiL: LEDiL

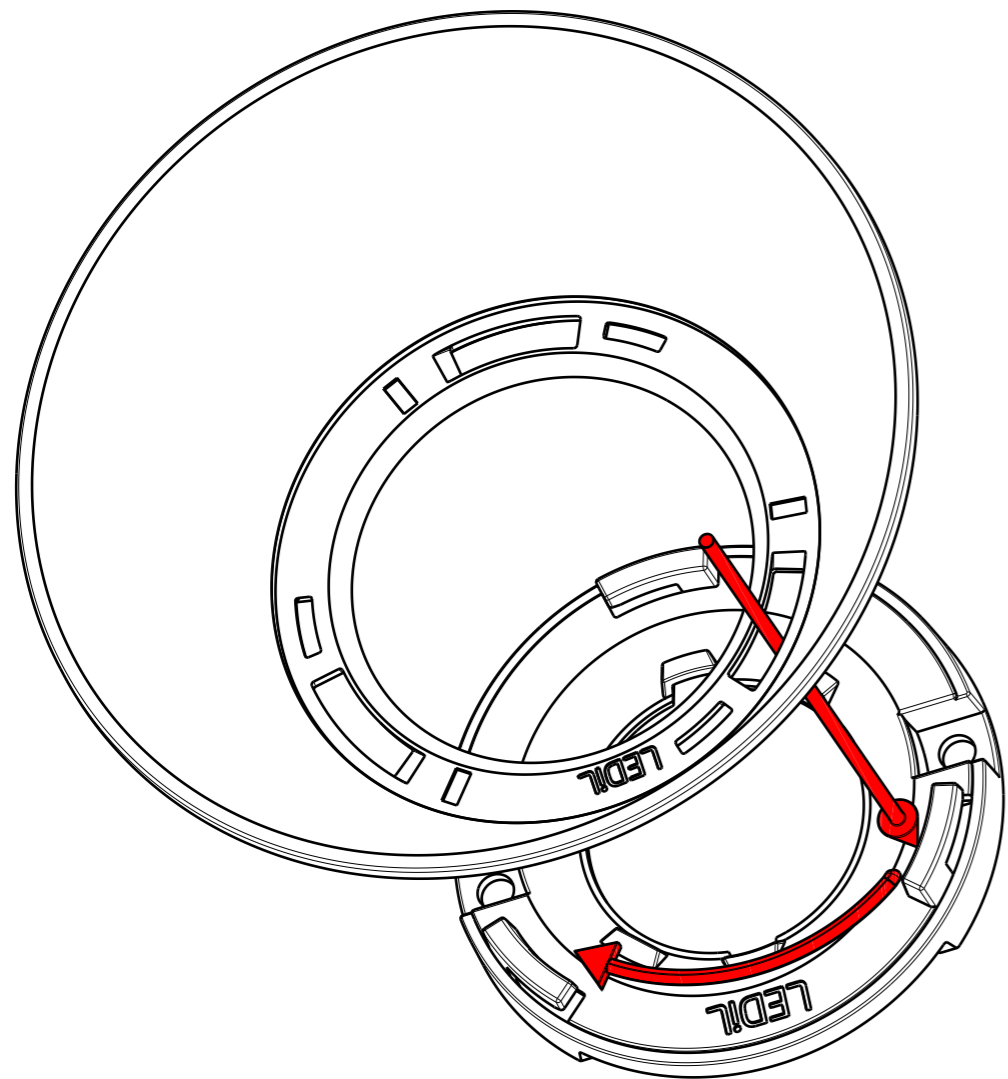
H G F E D C B A

4

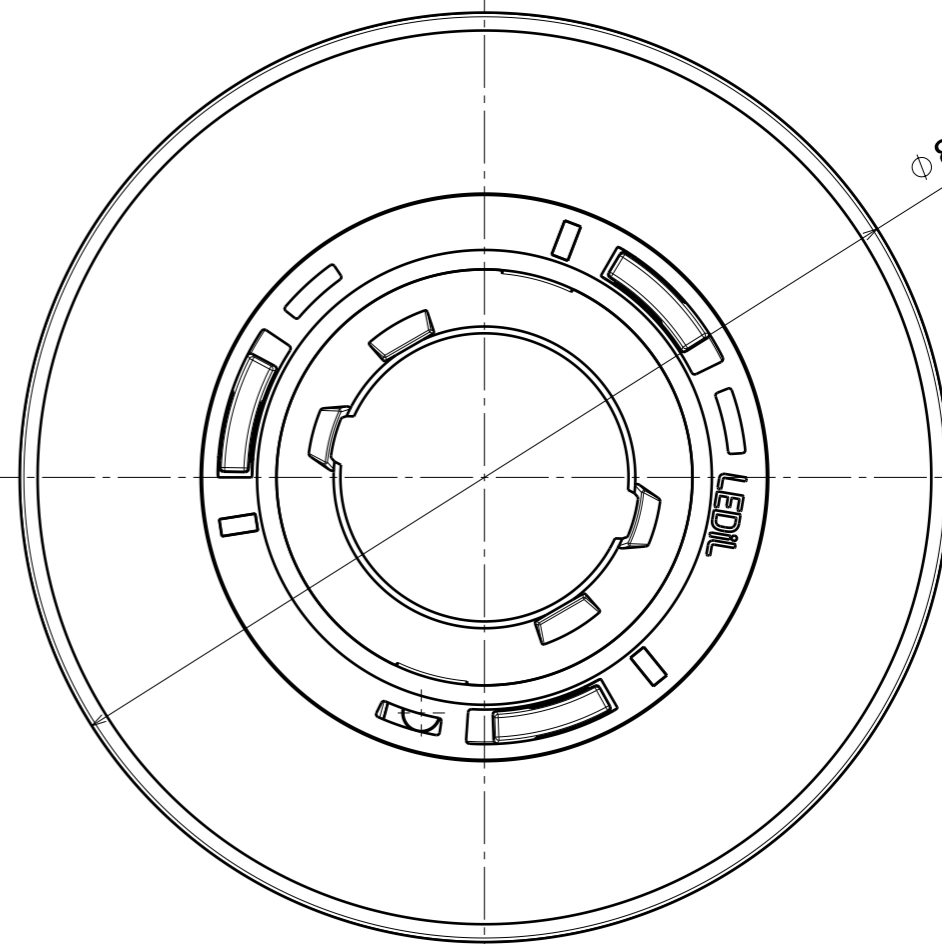
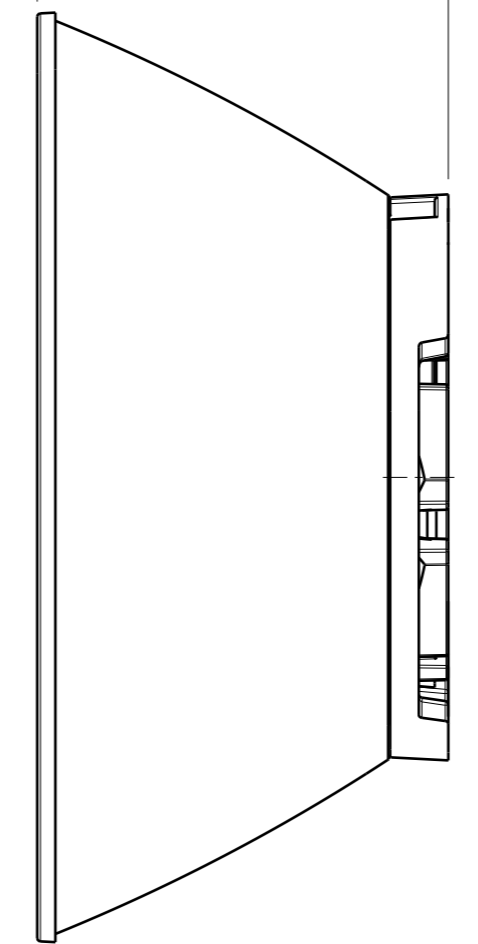
3

2

1



31 + Basepart

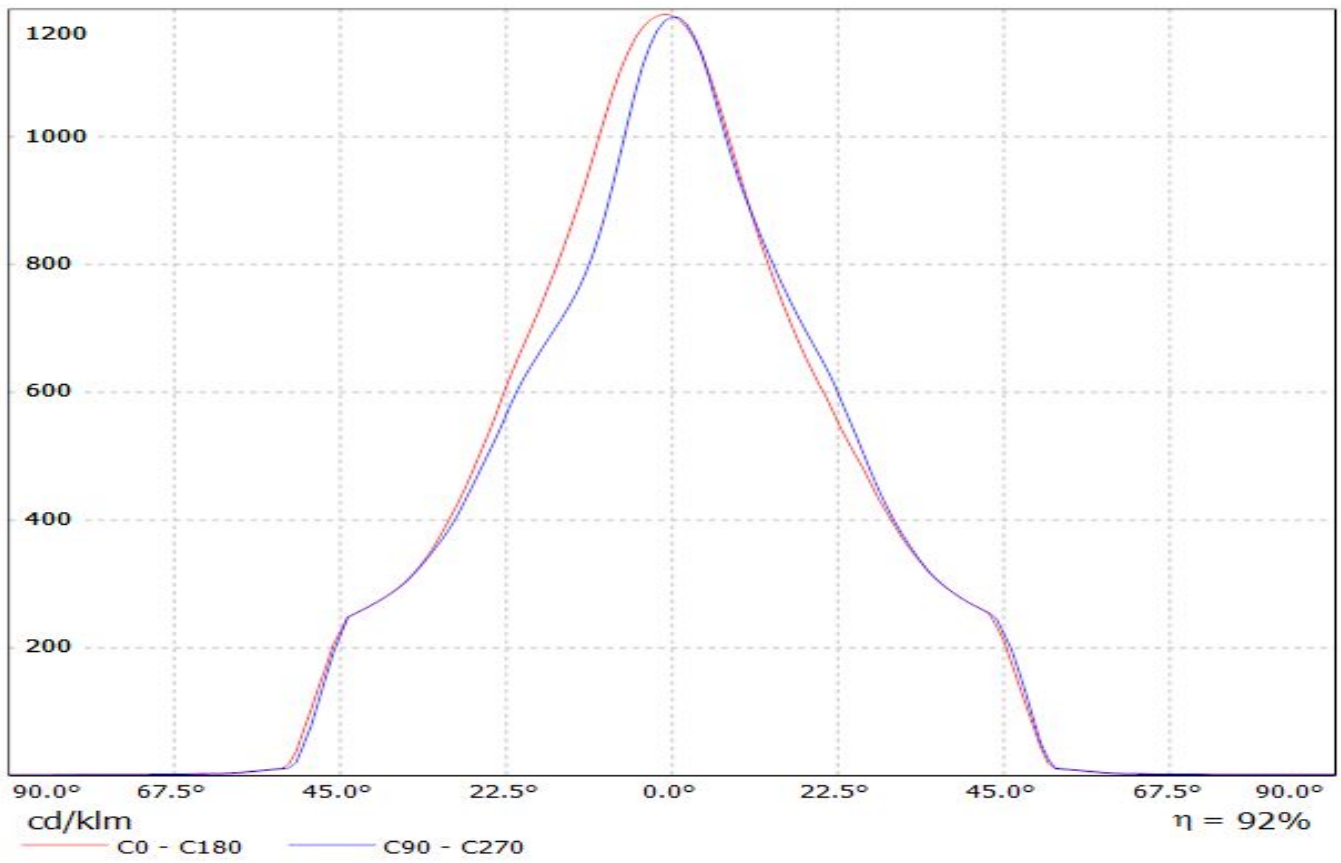


Ø81.95

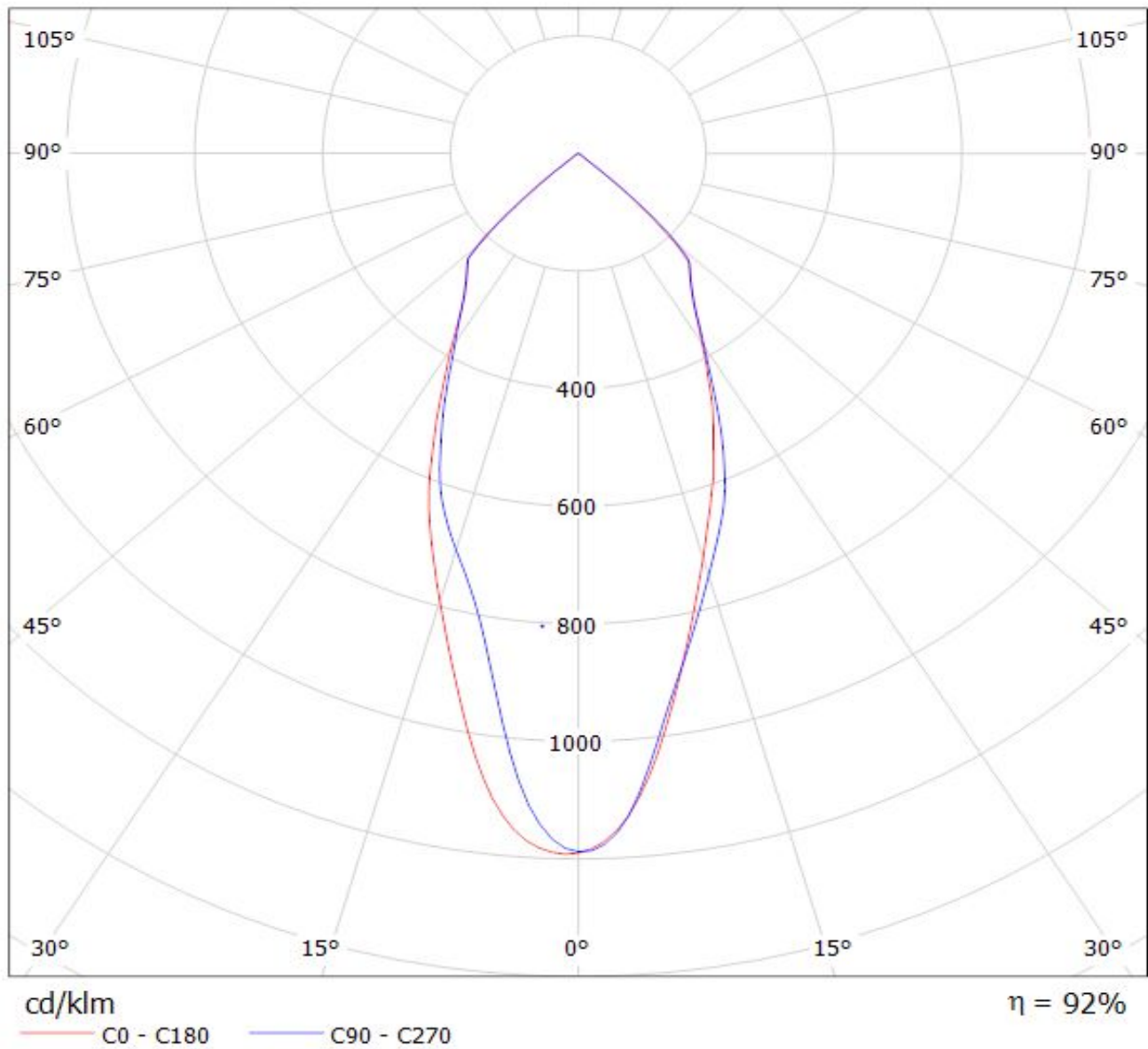
<p>Tolerances if not otherwise shown According to DIN ISO 2768-1 Linear measures: Up to 30mm class M, otherwise class C. According to DIN ISO 2768-2 Form and position: class L</p>		<p>LEDiL LediL Oy Salorankatu 10 FIN 24240 SALO Finland</p>	
<p>THIRD ANGLE PROJECTION: </p>		<p>DRAWING TITLE Datasheet_ANGELINA + CLAMP</p>	
<p>This drawing is the property of LEDiL Oy. It may not be reproduced, copied or communicated without a written agreement with LEDiL Oy.</p>		<p>SIZE A3</p>	<p>PART NUMBER -</p>
		<p>SCALE 3:2</p>	<p>WEIGHT (g)</p>
		<p>SHEET 1/1</p>	

H G B A

Luminaire: LEDiL Oy FCN13576_ANGELINA-W_(Luxeon_S3000) Eff.91.7%
Lamps: 1 x Luxeon S3000 633.95lm@100mA CCT=3000K P=6W I=100mA



Luminaire: LEDiL Oy FCN13576_ANGELINA-W_(Luxeon_S3000) Eff.91.7%
Lamps: 1 x Luxeon S3000 633.951lm@100mA CCT=3000K P=6W I=100mA



NOTE: The typical divergence will be changed by different color, chip size and chip position tolerance. The typical total divergence is the full angle measured where the luminous intensity is half of the peak value.