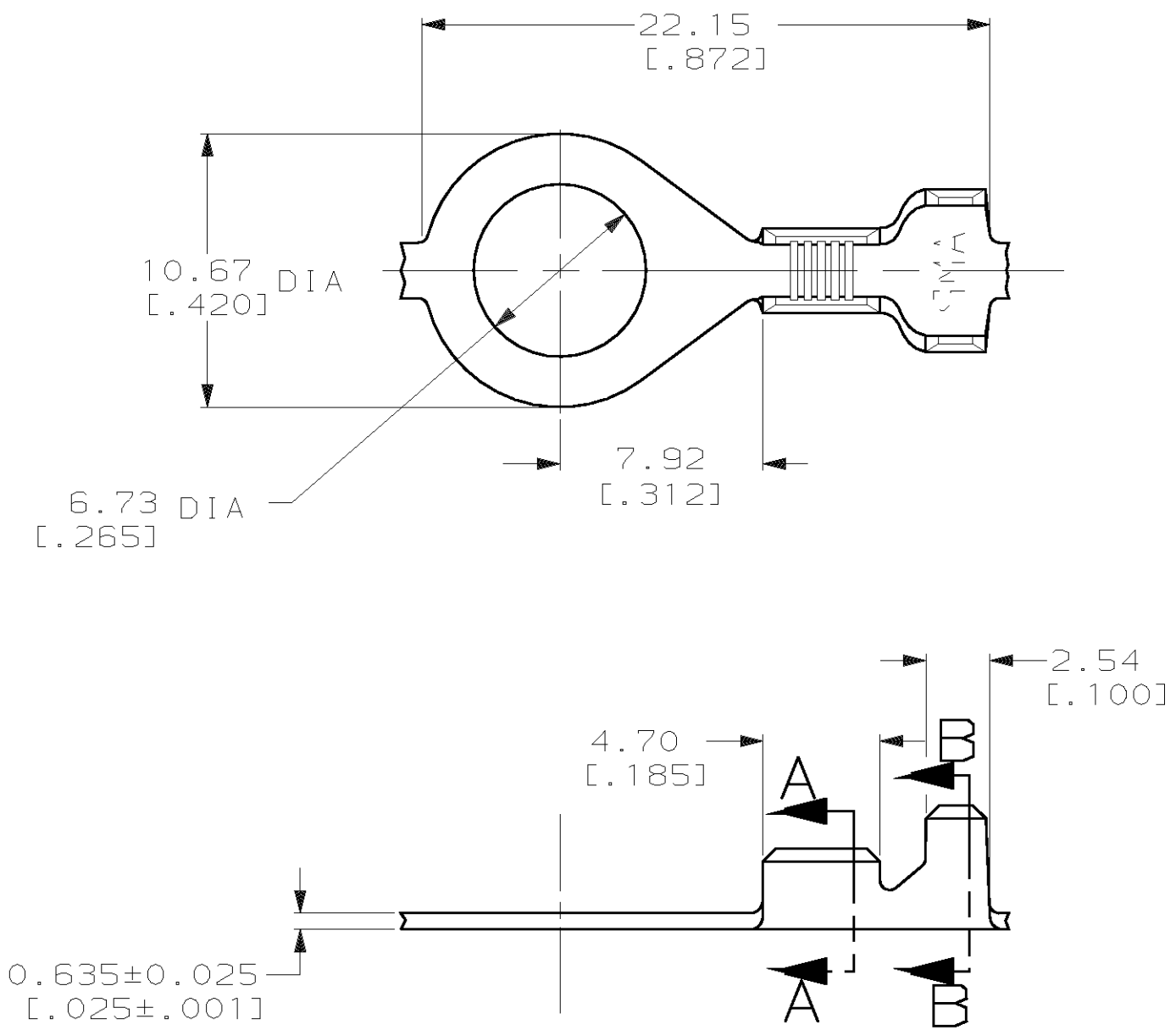
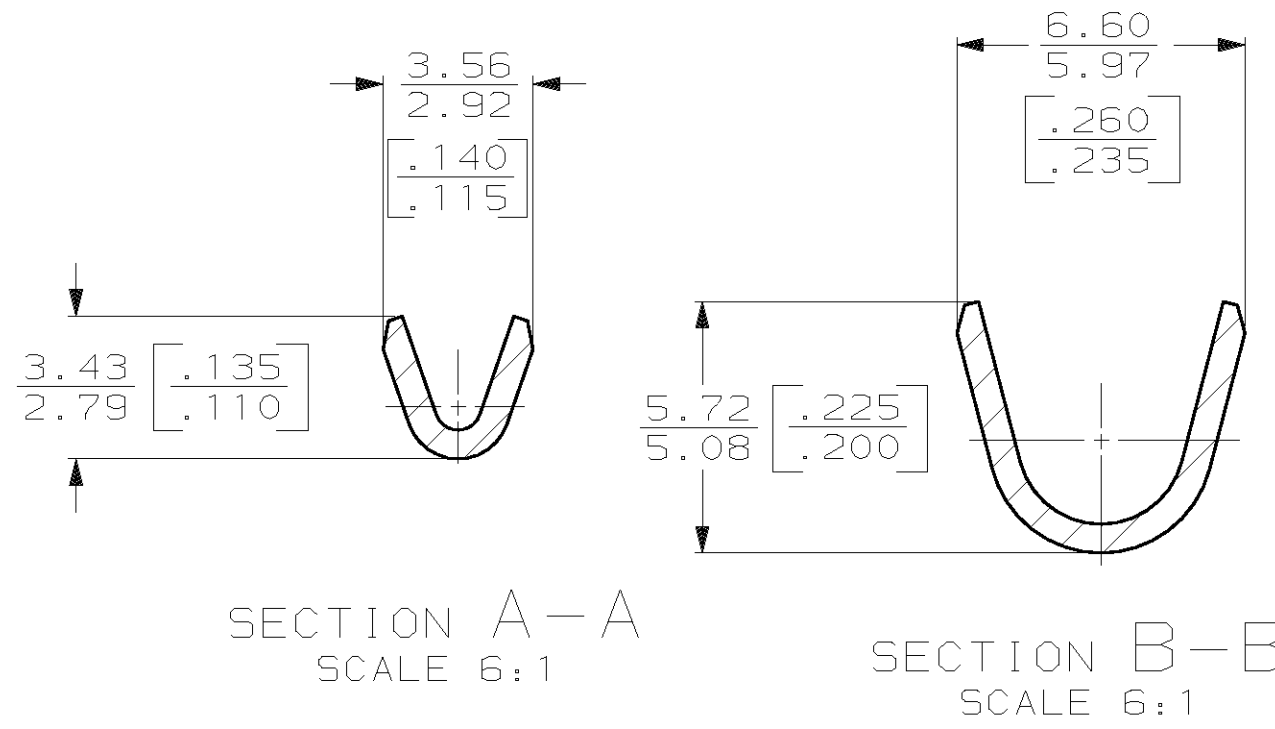


THIS DRAWING IS UNPUBLISHED. RELEASED FOR PUBLICATION, 19 .
 © COPYRIGHT 19 BY AMP INCORPORATED. ALL INTERNATIONAL RIGHTS RESERVED.

| LOC | DIST | P | F | ZONE | LTR | DESCRIPTION | DATE | APPD |
|-----|------|---|---|------|-----|-----------------|---------|-------|
| AF | 50 | | | | C | REV PER AF-7544 | 3/12/92 | PF/GY |



- 1 CONTINUOUS STRIP ON REELS.
- 2 REELED WITH PAPER INTERLEAF.



METRIC

| | | |
|------------------------------|---------------------------|---------|
| 3.18-4.19 DIA [.125-.165] | 0.3 -0.8mm [22-18] AWG | 63612-1 |
| INSULATION RANGE | WIRE RANGE | PART NO |

| | | | | | |
|--------------------|----------------|-------------------|----------------|---------------|-------------------------|
| F OR 0 | 5.59 [.220] | F | 2.54 [.100] | 1.57 [.062] | 0.8mm ² [18] |
| | | | | 1.47 [.058] | 0.5mm ² [20] |
| | | | | 1.42 [.056] | 0.3mm ² [22] |
| TYPE | WIDTH | TYPE | WIDTH | HEIGHT | WIRE |
| INSUL BARREL CRIMP | | WIRE BARREL CRIMP | | ±0.051 [.002] | |

DO NOT SCALE PRINT. UNLESS SPECIFIED DIMENSIONS IN mm [INCHES] TOLERANCES ON:
 2 PLC DEC ± 0.25 [.010]
 3 PLC DEC ± -
 ANGLES ± -
 MATERIAL #2 HARD BRASS
 FINISH 0.002032 [.000080] MIN TIN PL PER MIL-T-10727

| | |
|---------------------------|--|
| DR 1/10/91 P FORTNEY | AMP AMP Incorporated Harrisburg, PA 17105-3608 |
| CHK 1/14/91 MS FEHER | |
| APPD 1/14/91 G YETTER | NAME |
| APPD 1/14/91 R WEAVILL | RING, AMPLIVAR™ |
| PRODUCT SPEC - | SIZE B |
| APPLICATION SPEC - | CAGE CODE 00779 |
| WEIGHT - | DRAWING NO 63612 |
| | SCALE 4:1 |
| | SHEET 1 OF 1 |