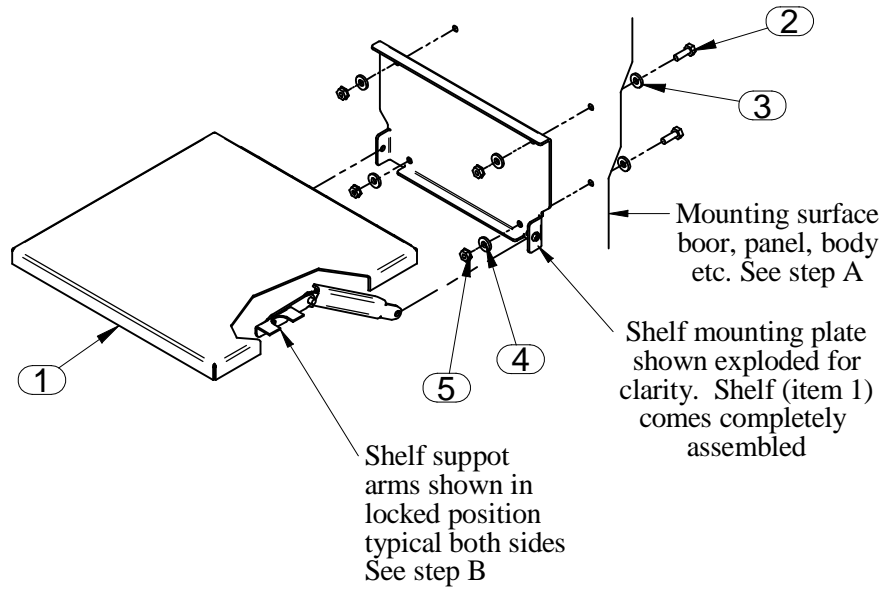
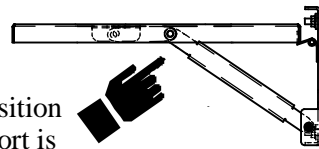


ASSEMBLY INSTRUCTIONS:

- A) Find desired location on door, panel or body to mount shelf.
- B) Open shelf (item 1) to open and locked position (see open steps below) and locate the shelf onto mounting surface. Check to see if shelf is level.
- C) Using the mounting plate as a template mark and CTR punch the hole locations. Drill thru using .281" (7.1mm) dia. drill bit.
- D) Mount shelf using 1/4-20 screw and sealing washer (items 2 & 3) thru holes in mounting surface. Use oversized washer and 1/4-20 KEP nut (items 4 & 5) on inside of mounting plate to secure.
- E) Open and close shelf as shown below

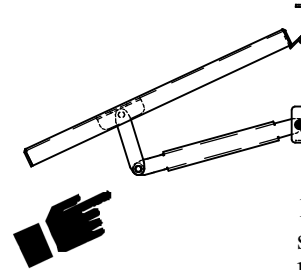


3. Once shelf is in position insure that shelf support is locked before placing objects on it.



**T
O
O
P
E
N**

2. While lifting shelf into position guide both shelf support arms up and towards rear of shelf

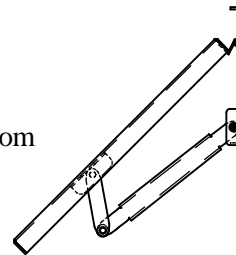


1. To close pull both support arms out of locked position down towards floor

**T
O
C
L
O
S
E**

1. Pull shelf out from closed position

2. Push shelf into closed position



PARTS LIST		
ITEM No.	DESCRIPTION	QTY
1	FLIP UP SHELF	1
2	1/4-20 X 3/4 SCREWS	4
3	1/4 SEALING WASHER	4
4	1/4 OVERSIZED	4
5	1/4-20 KEP NUTS	4

TOOL BOX

