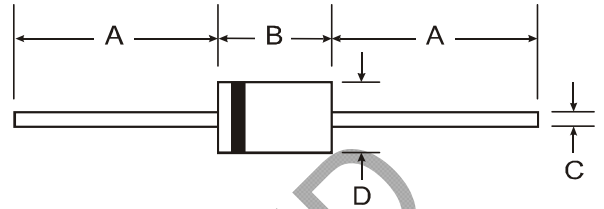


Features

- Glass Passivated Die Construction
- Fast Switching for High Efficiency
- Surge Overload Rating to 50A Peak
- Low Reverse Leakage Current
- **Lead Free Finish, RoHS Compliant (Note 4)**



Mechanical Data

- Case: DO-41, DO-15
- Case Material: Molded Plastic. UL Flammability Classification Rating 94V-0
- Moisture Sensitivity: Level 1 per J-STD-020C
- Terminals: Finish — Tin. Plated Leads Solderable per MIL-STD-202, Method 208 ^(e3)
- Polarity: Cathode Band
- Marking: Type Number
- Ordering Information: See Page 3
- DO-41 Weight: 0.35 grams (approximate)
- DO-15 Weight: 0.40 grams (approximate)

Dim	DO-41		DO-15	
	Min	Max	Min	Max
A	25.40	—	25.40	—
B	4.06	5.21	5.50	7.62
C	0.71	0.864	0.686	0.889
D	2.00	2.72	2.60	3.60

All Dimensions in mm

*GS" Suffix Designates DO-41 Package
"G" Suffix Designates DO-15 Package

Maximum Ratings and Electrical Characteristics

@T_A = 25°C unless otherwise specified

Single phase, half wave, 60Hz, resistive or inductive load.
For capacitive load, derate current by 20%.

Characteristic	Symbol	PR1501 G/GS	PR1502 G/GS	PR1503 G/GS	PR1504 G/GS	PR1505 G/GS	PR1506 G/GS	PR1507 G/GS	Unit
Peak Repetitive Reverse Voltage	V _{RRM}	50	100	200	400	600	800	1000	V
Working Peak Reverse Voltage	V _{RWM}								
DC Blocking Voltage (Note 5)	V _R								
RMS Reverse Voltage	V _{R(RMS)}	35	70	140	280	420	560	700	V
Average Rectified Output Current (Note 1) @ T _A = 55°C	I _O	1.5							A
Non-Repetitive Peak Forward Surge Current 8.3ms Single Half Sine-Wave Superimposed on Rated Load	I _{FSM}	50							A
Forward Voltage @ I _F = 1.5A	V _{FM}	1.3							V
Peak Reverse Current @ T _A = 25°C at Rated DC Blocking Voltage (Note 5) @ T _A = 100°C	I _{RM}	5.0 200							μA
Reverse Recovery Time (Note 3)	t _{rr}	150			250		500		ns
Typical Total Capacitance (Note 2)	C _T	25							pF
Typical Thermal Resistance Junction to Ambient	R _{θJA}	65							°C/W
Operating and Storage Temperature Range	T _j , T _{STG}	-65 to +150							°C

- Notes:
1. Valid provided that leads are maintained at ambient temperature at a distance of 9.5mm from the case.
 2. Measured at 1.0MHz and applied reverse voltage of 4.0V DC.
 3. Measured with I_F = 0.5A, I_R = 1.0A, I_{rr} = 0.2 5A. See figure 5.
 4. RoHS revision 13.2.2003. Glass and high temperature solder exemptions applied, see EU Directive Annex Notes 5 and 7.
 5. Short duration pulse test used to minimize self-heating effect.

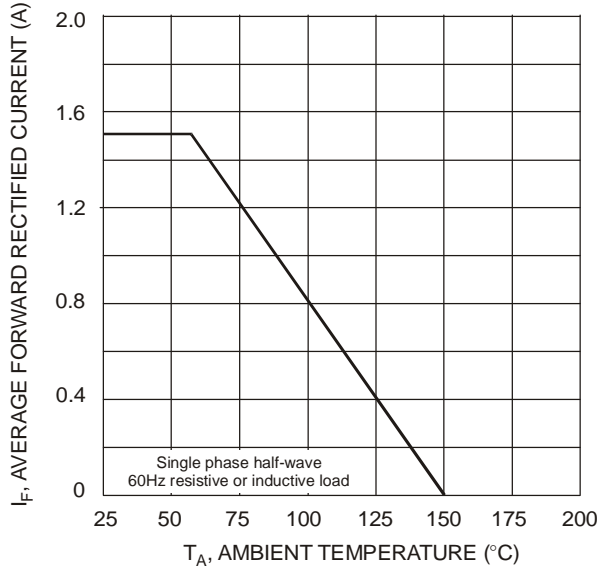


Fig. 1 Forward Derating Curve

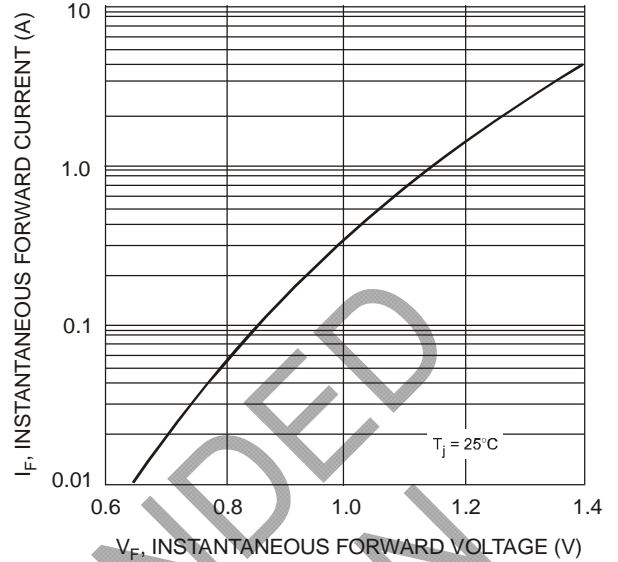


Fig. 2 Typical Forward Characteristics

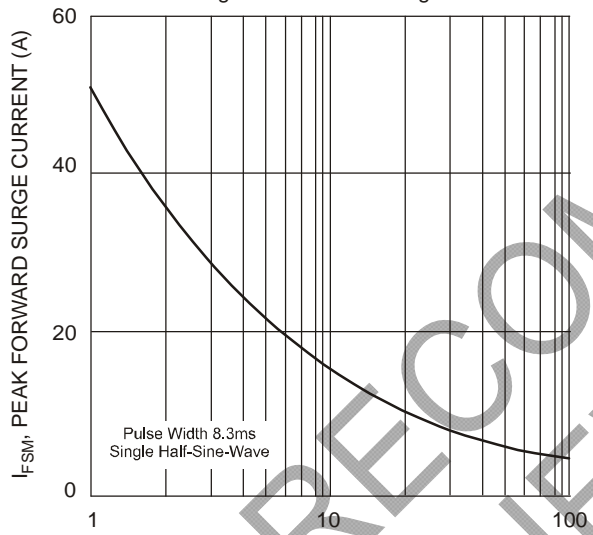


Fig. 3 Peak Forward Surge Current

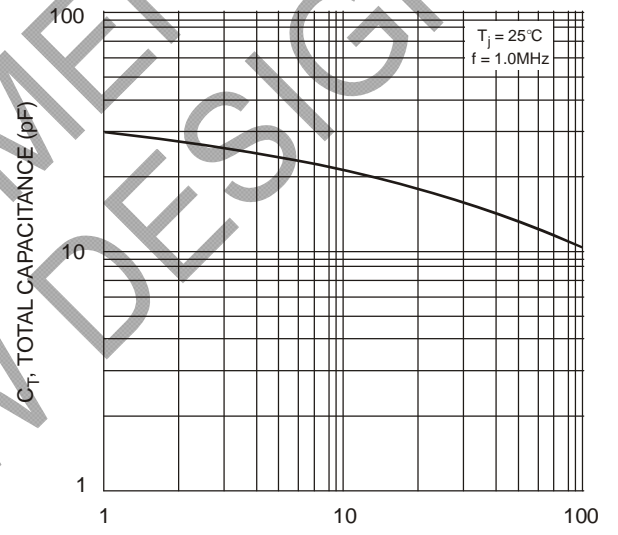
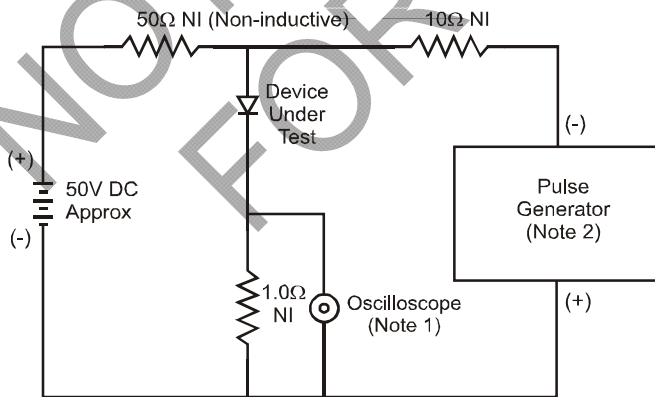


Fig. 4 Typical Total Capacitance



- Notes:
1. Rise Time = 7.0ns max. Input Impedance = 1.0MΩ, 22pF.
 2. Rise Time = 10ns max. Input Impedance = 50Ω.

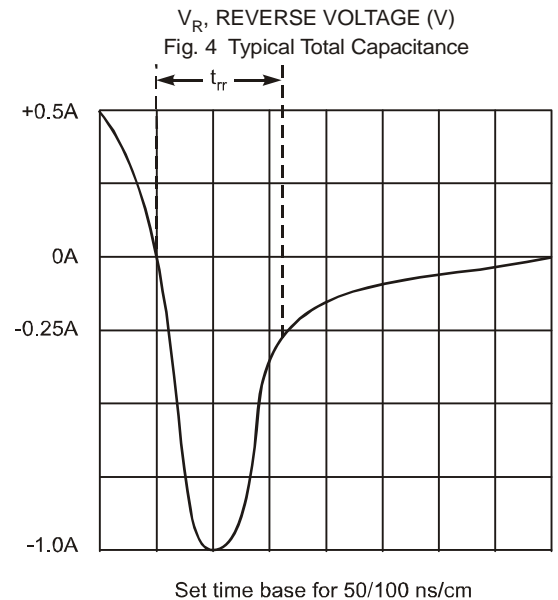


Fig. 5 Reverse Recovery Time Characteristic and Test Circuit

Ordering Information (Note 6)

Device	Packaging	Shipping
PR1501G-B	DO-15	1K/Bulk
PR1501G-T	DO-15	4K/Tape & Reel, 13-inch
PR1502G-B	DO-15	1K/Bulk
PR1502G-T	DO-15	4K/Tape & Reel, 13-inch
PR1503G-B	DO-15	1K/Bulk
PR1503G-T	DO-15	4K/Tape & Reel, 13-inch
PR1504G-B	DO-15	1K/Bulk
PR1504G-T	DO-15	4K/Tape & Reel, 13-inch
PR1505G-B	DO-15	1K/Bulk
PR1505G-T	DO-15	4K/Tape & Reel, 13-inch
PR1506G-B	DO-15	1K/Bulk
PR1506G-T	DO-15	4K/Tape & Reel, 13-inch
PR1507G-B	DO-15	1K/Bulk
PR1507G-T	DO-15	4K/Tape & Reel, 13-inch
PR1501GS-A	DO-41	5K/Ammo Pack
PR1501GS-B	DO-41	1K/Bulk
PR1501GS-T	DO-41	5K/Tape & Reel, 13-inch
PR1502GS-A	DO-41	5K/Ammo Pack
PR1502GS-B	DO-41	1K/Bulk
PR1502GS-T	DO-41	5K/Tape & Reel, 13-inch
PR1503GS-A	DO-41	5K/Ammo Pack
PR1503GS-B	DO-41	1K/Bulk
PR1503GS-T	DO-41	5K/Tape & Reel, 13-inch
PR1504GS-A	DO-41	5K/Ammo Pack
PR1504GS-B	DO-41	1K/Bulk
PR1504GS-T	DO-41	5K/Tape & Reel, 13-inch
PR1505GS-A	DO-41	5K/Ammo Pack
PR1505GS-B	DO-41	1K/Bulk
PR1505GS-T	DO-41	5K/Tape & Reel, 13-inch
PR1506GS-A	DO-41	5K/Ammo Pack
PR1506GS-B	DO-41	1K/Bulk
PR1506GS-T	DO-41	5K/Tape & Reel, 13-inch
PR1507GS-A	DO-41	5K/Ammo Pack
PR1507GS-B	DO-41	1K/Bulk
PR1507GS-T	DO-41	5K/Tape & Reel, 13-inch

Notes: 6. For packaging details, visit our website at <http://www.diodes.com/datasheets/ap02008.pdf>.

IMPORTANT NOTICE

DIODES INCORPORATED MAKES NO WARRANTY OF ANY KIND, EXPRESS OR IMPLIED, WITH REGARDS TO THIS DOCUMENT, INCLUDING, BUT NOT LIMITED TO, THE IMPLIED WARRANTIES OF MERCHANTABILITY AND FITNESS FOR A PARTICULAR PURPOSE (AND THEIR EQUIVALENTS UNDER THE LAWS OF ANY JURISDICTION).

Diodes Incorporated and its subsidiaries reserve the right to make modifications, enhancements, improvements, corrections or other changes without further notice to this document and any product described herein. Diodes Incorporated does not assume any liability arising out of the application or use of this document or any product described herein; neither does Diodes Incorporated convey any license under its patent or trademark rights, nor the rights of others. Any Customer or user of this document or products described herein in such applications shall assume all risks of such use and will agree to hold Diodes Incorporated and all the companies whose products are represented on Diodes Incorporated website, harmless against all damages.

Diodes Incorporated does not warrant or accept any liability whatsoever in respect of any products purchased through unauthorized sales channel. Should Customers purchase or use Diodes Incorporated products for any unintended or unauthorized application, Customers shall indemnify and hold Diodes Incorporated and its representatives harmless against all claims, damages, expenses, and attorney fees arising out of, directly or indirectly, any claim of personal injury or death associated with such unintended or unauthorized application.

Products described herein may be covered by one or more United States, international or foreign patents pending. Product names and markings noted herein may also be covered by one or more United States, international or foreign trademarks.

LIFE SUPPORT

Diodes Incorporated products are specifically not authorized for use as critical components in life support devices or systems without the express written approval of the Chief Executive Officer of Diodes Incorporated. As used herein:

A. Life support devices or systems are devices or systems which:

1. are intended to implant into the body, or
2. support or sustain life and whose failure to perform when properly used in accordance with instructions for use provided in the labeling can be reasonably expected to result in significant injury to the user.

B. A critical component is any component in a life support device or system whose failure to perform can be reasonably expected to cause the failure of the life support device or to affect its safety or effectiveness.

Customers represent that they have all necessary expertise in the safety and regulatory ramifications of their life support devices or systems, and acknowledge and agree that they are solely responsible for all legal, regulatory and safety-related requirements concerning their products and any use of Diodes Incorporated products in such safety-critical, life support devices or systems, notwithstanding any devices- or systems-related information or support that may be provided by Diodes Incorporated. Further, Customers must fully indemnify Diodes Incorporated and its representatives against any damages arising out of the use of Diodes Incorporated products in such safety-critical, life support devices or systems.

Copyright © 2010, Diodes Incorporated

www.diodes.com