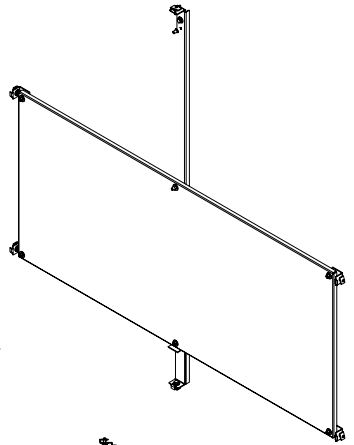
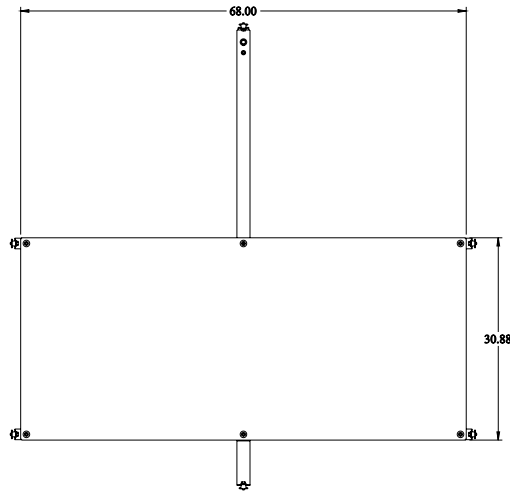


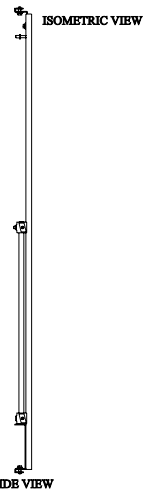
 **PART No. 72ZYHWG**
For more information visit
www.hammitg.com
Data subject to change without notice.
Isometric Drawing Not to Scale



TOP VIEW



FRONT VIEW

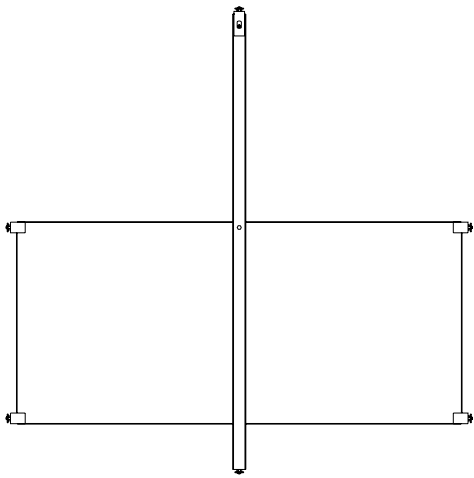


ISOMETRIC VIEW

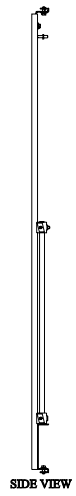
SIDE VIEW



BOTTOM VIEW



REAR VIEW



SIDE VIEW