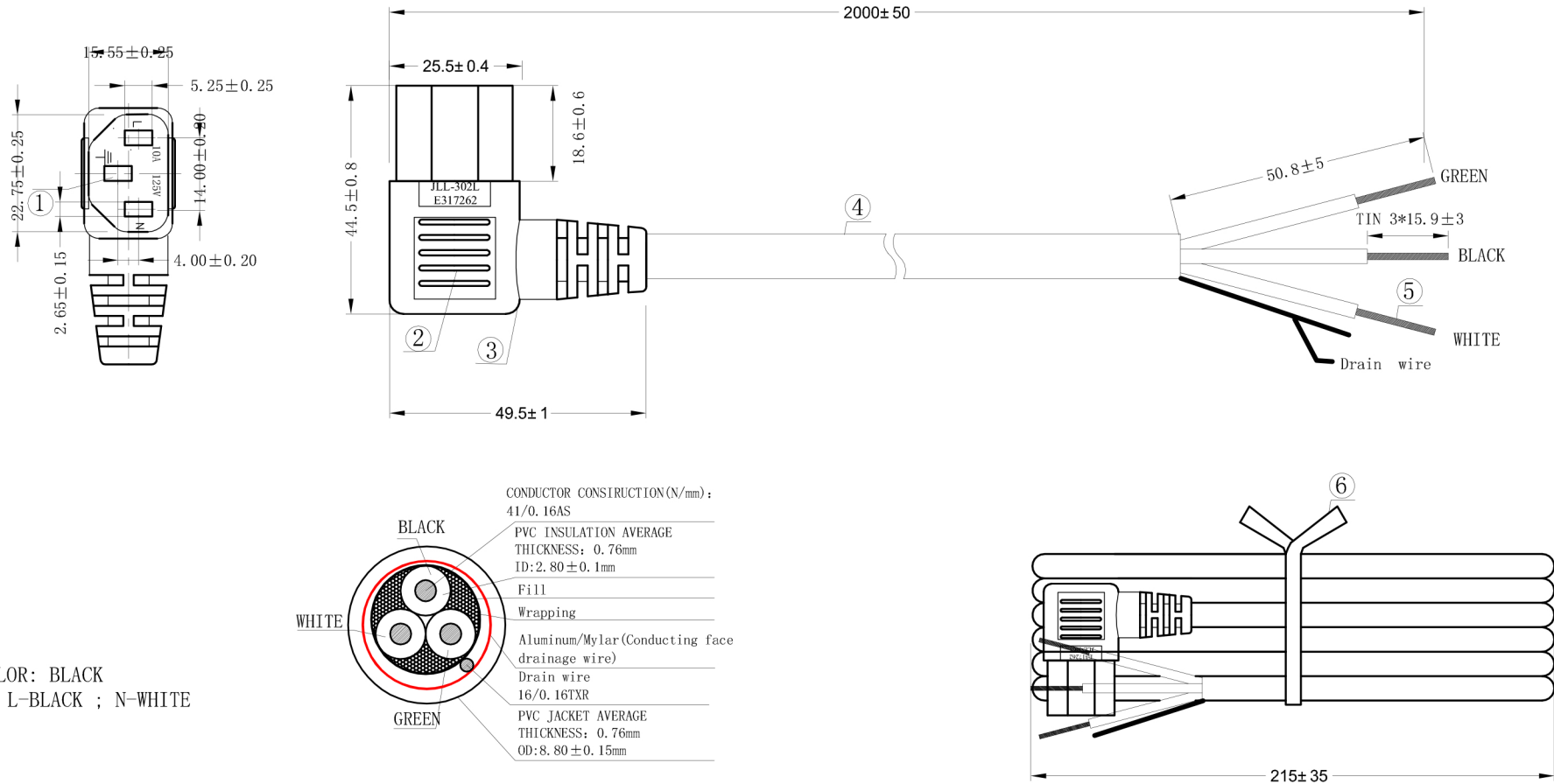


PART NO.	JLL-302L WIRE	SCALE	1: 1
DESCRIPTION	SJT#18*3C 60C SHIELED	UNIT:	mm
DWG No.	800-1803-0-SJT0-BL-00200		



NOTES:

- 1) JACKET COLOR: BLACK
- 2). E-GREEN; L-BLACK ; N-WHITE

TESTING:

- 1) 100% OPEN & SHORT TESTING
- 2) INSULATION RESISTANCE: 100M ohm(min)
- 3) VOLTAGE: DC500V/lmin
- 4) ROHS COMPLIANT

Printing the contents of wire The use of printing ink replenish Wire

E243711 (UL) SJT 3×18AWG(0.824mm²) VW-1 SHIELED 60°C
 300V CSA 228191 SJT 3×18AWG(0.824mm²) FT2 SHIELED 60°C
 300V -LF-

REV	DATE	DESCRIPTION	SYMBOL
DRAWED/DATE		CHECKED/DATE	
CAI/10.05.10		GONG/11.05.13	

NO.	SPECIFICATION	COLOUR	MATERIAL	AMOUNT
①	Play home terminal	Silver	Cu	3P
②	Model aircraft	WHITE	PBT	1PCS
③	Mother Play ME-302L	BLACK	PVC Cu	1PCS
④	Wire SJT 18AWG/3C 60°C	BLACK	PVC Cu	1PCS
⑤	Tin	Silver	Article tin	3PCS
⑥	Ties	BLACK		1PCS